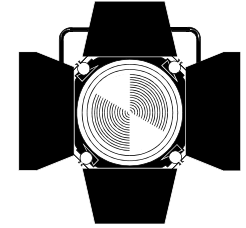
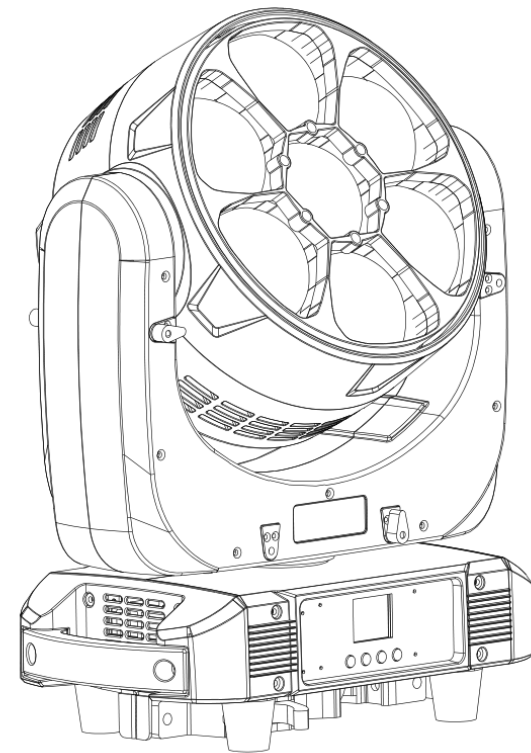


***VIKING***  
***STAGE LIGHTING***



**VK760 Vortex 7 Zoom Moving Light**



User manual

Please read the instructions carefully before use

## TABLE OF CONTENTS

1. Safety Instructions .....	1 - 3
2. Technical Specifications.....	5
3. How To Control The Unit.....	6
4. DMX Channel List.....	16
5. Shape.....	18
6. Trouble shooting.....	19
7. Fixture Cleaning .....	20

### statement

The product has well capability and intact packing when leave factory. All of the user should comply with warning item and manual, any misuse cause of the damages are not included in our guarantee, and also can not be responsible for any malfunction & problem owing to ignore the manual.

## 8. Fixture Cleaning

The cleaning of internal and external optical lenses and/or mirrors must be carried out periodically to optimize light output. Cleaning frequency depends on the environment in which the fixture operates: damp, smoky or particularly dirty surrounding can cause greater accumulation of dirt on the unit's optics.

- **Clean with soft cloth using normal glass cleaning fluid.**
- **Always dry the parts carefully.**
- **Clean the external optics at least every 20 days. Clean the internal optics at least every 30/60 days.**

## 1. Safety Instructions

Please keep this User Guide for future consultation. If you sell the unit to another user, be sure that they also receive this instruction booklet.

- ▣ Unpack and check carefully there is no transportation damage before using the unit.
- ▣ Before operating, ensure that the voltage and frequency of power supply match the power requirements of the unit.
- ▣ It's important to ground the yellow/green conductor to earth in order to avoid electric shock.
- ▣ The unit is for indoor use only. Use only in a dry location.
- ▣ The unit must be installed in a location with adequate ventilation, at least 50cm from adjacent surfaces. Be sure that no ventilation slots are blocked.
- ▣ Disconnect main power before replacement or servicing.
  
- ▣ Make sure there are no flammable materials close to the unit while operating as it is fire hazard.
- ▣ Use safety cable when fixes this unit. DO NOT handle the unit by taking its head only, but always by taking its base.
  
- ▣ Maximum ambient temperature is  $T_a$ : 40°C. DO NOT operate it where the temperature is higher than this Unit surface temperature may reach up to 85°C. DO NOT touch the housing bare-hand during its operation. Turn off the power and allow about 15 minutes for the unit to cool down before replacing or serving.
  
- ▣ In the event of serious operating problem, stop using the unit immediately. Never try to repair the unit by yourself. Repairs carried out by unskilled people can lead to damage or malfunction. Please contact the nearest authorized technical assistance center. Always use the same type spare parts.

⚠ DO NOT touch any wire during operation as high voltage might be causing electric shock.

### **Warning:**

⚠ To prevent or reduce the risk of electrical shock or fire, do not expose the unit to rain or moisture.

⚠ DO NOT open the unit within five minutes after switching off.

⚠ The housing, the lenses, or the ultraviolet filter must be replaced if they are visibly damaged.

### **Caution:**

There are no user serviceable parts inside the unit. DO NOT open the housing or attempt any repairs yourself. In the unlikely event your unit may require service, please contact your nearest dealer.

### **Installation:**

The unit should be mounted via its screw holes on the bracket. Always ensure that the unit is firmly fixed to avoid vibration and slipping while operating. And make sure that the structure to which you are attaching the unit is secure and is able to support a weight of 10 times of the unit's weight. Also always use a safety cable that can hold 12 times of the weight of the unit when installing the fixture.

The equipment must be fixed by professionals. And it must be fixed at a place where is out of the touch of people.

## **7. Trouble shooting**

Following are a few common problems that may occur during operation. Here are some suggestions for easy troubleshooting:

### **A. The unit does not work, no light and the fan does not work**

1. Check the connection of power and main fuse.
2. Measure the mains voltage on the main connector.
3. Check the power on LED.

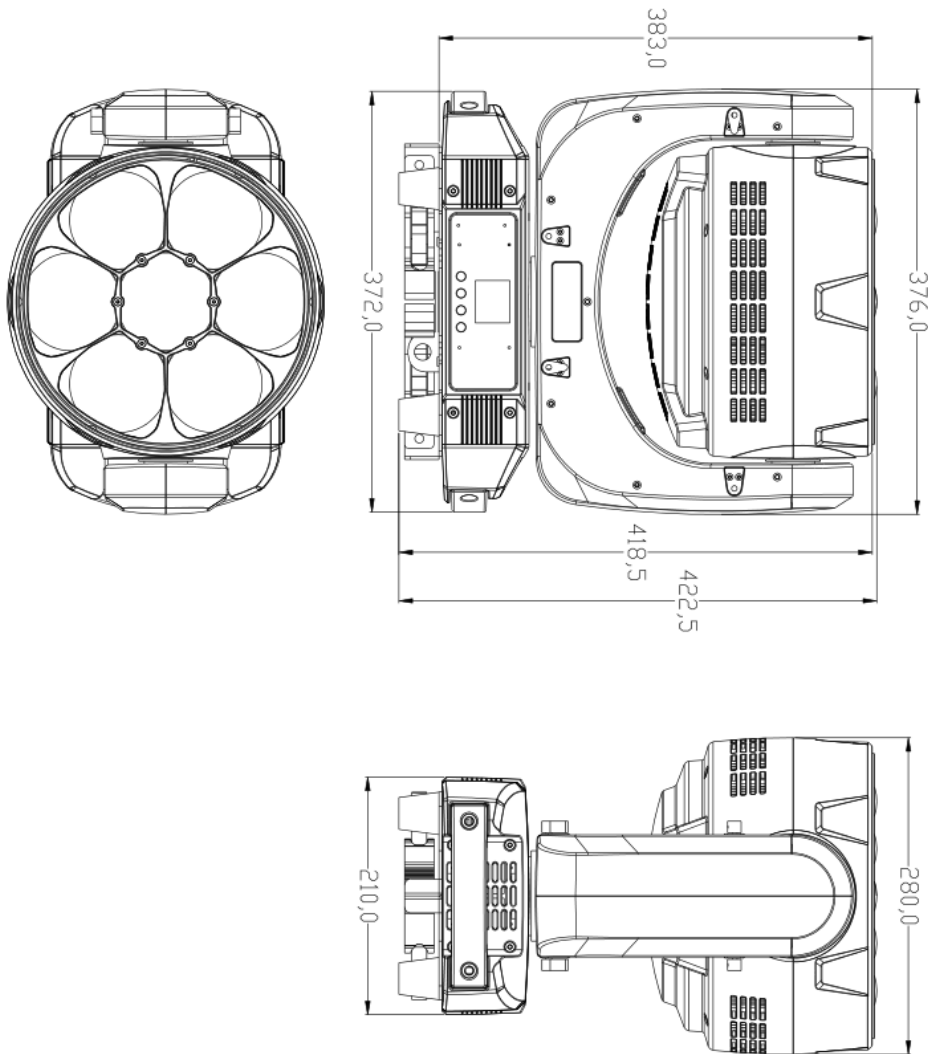
### **B. Not responding to DMX controller**

1. DMX LED should be on. If not, check DMX connectors, cables to see if link properly.
2. If the DMX LED is on and no response to the channel, check the address settings and DMX polarity.
3. If you have intermittent DMX signal problems, check the pins on connectors or on PCB of the unit or the previous one.
4. Try to use another DMX controller.
5. Check if the DMX cables run near or run alongside to high voltage cables that may cause damage or interference to DMX interface circuit.

### **C. One of the channels is not working well**

1. The stepper motor might be damaged or the cable connected to the PCB is broken.
2. The motor's drive IC on the PCB might be out of condition.

## 6. Shape



## 2. Technical Specifications

**Light Sources:** 7\*60W 4IN1 osram RGBW LED

Beam Angle:3°- 45°

Power Consumption: 500w

Power Voltage: AC 100-260V, 50/60Hz

Net Weight:16.5 kgs

Gross Weight: 18 Kgs

### Control

DMX Channel: 21/23/35/42/49/51/56CH

Control Modes: DMX512/master-Slave/Auto Run/Music

### Pan/Tilt

Pan : 540°/ 360° ,Tilt : 270°

Pan/Tilt Resolution: 8/16 bit

### Construction

Display:180° reversible LCD Display

Data In/Out socket: 3-pin & 5-pin XLR sockets

Power Socket: Powercon in/out

Protection Rating: IP20

### Features

LED single control

Outstanding color macro effect

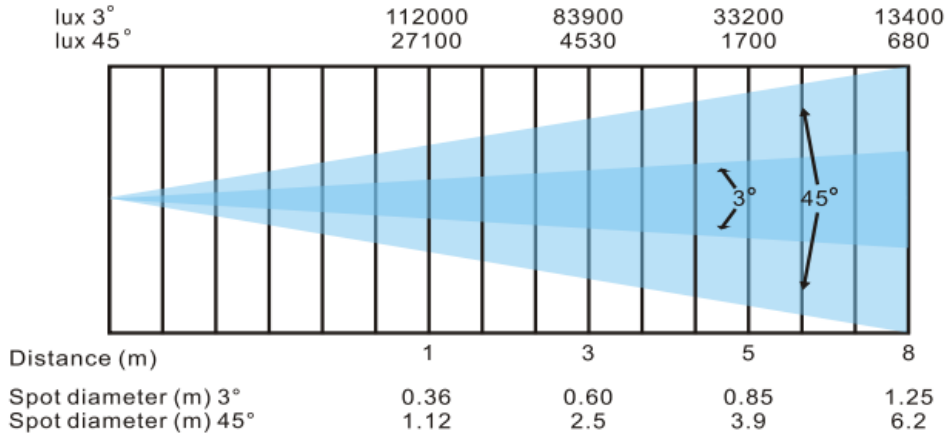
Fast,quite operation and flicker free

High-efficiency optical system ,wonderful flower effect plus zoom

Led temperature protection & Fan run speed automatic based on the head temperature.

### 3. Lux Date

Min Zoom range =3°  
Max Zoom range =45°



### 4. How To Control The Unit



Menu      Up      Down      Enter

CH-30	Background dimming	Background 0-100% dimming	0-255
CH-31	Pattern change	Pattern change control	0-255
CH-32	Pattern movement	Pattern movement(with 22CH)	0-255
CH-33	Prospects strobe	Prospects strobe	0-255
CH-34	Background strobe	Background strobe	0-255
CH-35	pattern selection	Background selection	0-255
CH-36	R1 LED dimming	R1 LED dimming	0-255
CH-37	G1 LED dimming	G1 LED dimming	0-255
CH-38	B1 LED dimming	B1 LED dimming	0-255
CH-39	.....	.....	0-255
CH-54	R7 LED dimming	R7 LED dimming	0-255
CH-55	G7 LED dimming	G7 LED dimming	0-255
CH-56	B7 LED dimming	B7 LED dimming	0-255

		Mixed color pattern 2	186--193
		....	....
		Mixed color pattern 9	242--249
		Mixed color pattern 10	250--255
CH-23	Dynamic pattern speed	No	0--9
		Forward, from fast to slow (with 22CH)	10--132
CH-23	Dynamic pattern speed	Reverse, from slow to fast(with 22CH)	133--255
CH-24	Pattern effect fade	Pattern effect fade	0-255
CH-25	color R	dark to bright linear dimming	0-255
CH-26	color G	dark to bright linear dimming	0-255
CH-27	color B	dark to bright linear dimming	0-255
CH-28	color W	dark to bright linear dimming	0-255
CH-29	Pattern dimming	Pattern 0-100% dimming	0-255

### Display:

MENU To select the programming functions  
DOWN To go backward in the selected functions  
uP To go forward in the selected functions  
ENTER To confirm the selected functions

### Set DMX Address Code

- 1 Press "**Menu**" to "Set DMX Address",and press"**ENTER**" keys to enter into
- 2 Show "Set DMX Address DMX Address:**001**",Press the "**UP and DOWN**" keys to amended
- 3 Press "**ENTER**"keys to save and Exit,Press the"**MENU**"Keys does not save and Exit

Menu	Pan Degree	1) 540 ° , 2)360°	X-axis running angle selection
	Mic Sense	001 - 100	Sound sensitivity adjustment
	Language	English	Chinese
	Reset	Yes	No
	Default	Yes	No
	Adjust	Pass Word: up+down+up+down	
Pan			0 - 255
Tilt			0 - 255
Focus			0 - 255
Rota			0 - 255
	Red		0 - 255

		Green	0 - 255
		Blue	0 - 255
		White	0 - 255
Address	Setting from 001 - 512		
Reverse	Forward or reversed setting	Pan	1.Yes
			2.No
		Tilt	1.Yes
			2.No
		Display	1.Yes
			2.No
Information	1.CH Value	Each channel show CH value	
	2.Temp ____°C	Show the temperature of led board	
	3.Soft V1.1	Show the version number	
Channel	21 channels		
	23 channels		
	35 channels		
	42 channels		
	49 channels		
	51 channels		
	56channels		
Mode	DMX 512		
	AUTO		
	SOUND		

CH-18	Dimming Mode	Mode -3	100---149
		Mode -4	150---255
CH-19	Reset	NO	0-250
		Reset within 5s	251---255
CH-20	Zoom	Zoom	0-255
CH-21	Lens rotation	0~60°	0--155
		Clockwise infinite rotation	156--205
		Counterclockwise rotation	206--255
CH-22	Static pattern	No	0--9
		Monochrome pattern 1	10--17
		Monochrome pattern 2	18--25
		.....	.....
		Monochrome pattern 21	170--177
		Mixed color pattern 1	178--185



		Macro color 16	234--247
		Macro color 17	248--255
CH-11	Strobe	Turn on the light	0---3
		Synchro strobe speed slow to fast (1HZ-25HZ)	4---203
		Random strobe	204--255
CH-12	Dimmer	dark to bright linear dimming	0 --- 255
CH-13	Dimmer adjust	Dimmer adjustment control	0 --- 255
CH-14	Pan	Pan control	0 --- 255
CH-15	Pan adjustment	Pan adjustment control	0 --- 255
CH-16	Tilt	Tilt control	0 --- 255
CH-17	Tilt adjustment	Tilt adjustment control	0 --- 255
		Mode -1	0 --- 49
		Mode -2	50 --- 99

Manual	Master	Pan:0--255	Manual Control
		Tilt:0--255	
		Focus:0--255	
		Rota:0-255	
	Alone	Red: 0--255	
		Green: 0--255	
		Blue: 0--255	
		White: 0--255	
		Strobe: 0-255	

## 5.DMX Channel List

### Model 1 - CH21

Channel	Display	Function	Value
CH-1	Red	Red dimming	0 --- 255
CH-2	Red adjustment	Red adjustment	0 --- 255
CH-3	Green	Green dimming	0 --- 255
CH-4	Green adjustment	Green adjustment	0 --- 255
CH-5	Blue	Blue dimming	0 --- 255

CH-6	Blue adjustment	Blue dimming	0 --- 255
CH-7	White	White dimming	0 --- 255
CH-8	White adjustment	White adjustment	0 --- 255
CH-9	Color temperature	No	0--15
		R100%,G UP,B0%	16--35
		R DOWM,G100%,B0%	36--55
		R0%,G100%,B UP	56--75
		R0%,G DOWM,B100%	76--95
		R UP,G0%,B100%	96--115
		R100%,G0%,B DOWM	116--135
		R100%,G UP,B UP	136--155
		R down,G down, B 100%	156--175
		R100%G100%B100%W100%	176--195
			2800K

CH-9	Color temperature	3500K	206---210
		4000K	211---215
		4500K	216---220
		5000K	221---225
		5500K	226--230
		6000K	231--235
		6500K	236--240
		7000K	241--245
CH-10	Macro color	7500K	246--250
		8000K	251--255
		No	0--9
		Macro color 1	10--23
		Macro color 2	24--37
	....	....	

CH-8	White adjustment	White adjustment	0 --- 255
CH-9	Color temperature	No	0 ---15
		R100%,G UP,B0%	16---35
		R DOWM,G100%,B0%	36---55
		R0%,G100%,B UP	56---75
		R0%,G DOWM,B100%	76---95
		R UP,G0%,B100%	96---115
		R100%,G0%,B DOWM	116--135
		R100%,G UP,B UP	136---155
		R down,G down, B 100%	156---175
		R100%,G100%,B100%,W100%	176---195
		2800K	196---200
		3200K	201---205

CH-9	Color temperature	3200K	201--205
		3500K	206--210
		4000K	211--215
		4500K	216--220
		5000K	221--225
		5500K	226--230
		6000K	231--235
		6500K	236--240
		7000K	241--245
		7500K	246--250
8000K	251--255		
CH-10	Macro color	No	0--9
		Macro color 1	10--23
		Macro color 2	24--37

CH-10	Macro color	....	....
		Macro color 16	234--247
		Macro color 17	248--255
CH-11	Strobe	Turn on the light	0---3
		Synchro strobe speed	
		slow to fast (1HZ-25HZ)	4---203
		Random strobe	204--255
CH-12	Dimmer	dark to bright linear dimming	0 --- 255
CH-13	Dimmer adjust	Dimmer adjustment control	0 --- 255
CH-14	Pan	Pan control	0 --- 255
CH-15	Pan adjustment	Pan adjustment control	0 --- 255
CH-16	Tilt	Tilt control	0 --- 255
CH-17	Tilt adjustment	Tilt adjustment control	0 --- 255
		Mode -1	0 --- 49

CH-28	.....	.....	.....
CH-48	R7 LED dimmer	R7 LED dimming	0-255
CH-49	G7LED dimmer	G7 LED dimming	0-255
CH-50	B7LED	B7 LED dimming	0-255
CH-51	W7LED dimmer	W7 LED dimming	0-255

### Model 7 - CH56

Channel	Display	Function	Value
CH-1	Red	Red dimming	0 --- 255
CH-2	Red adjustment	Red adjustment	0 --- 255
CH-3	Green	Green dimming	0 --- 255
CH-4	Green adjustment	Green adjustment	0 --- 255
CH-5	Blue	Blue dimming	0 --- 255
CH-6	Blue adjustment	Blue dimming	0 --- 255
CH-7	White	White dimming	0 --- 255

		Mixed color dynamic pattern 10	250--255
CH-18	Dynamic pattern speed	Forward, from fast to slow (with 17CH)	0--127
		Reverse, from slow to fast(with 17CH)	128--255
CH-19	Back color R	dark to bright linear dimming	0-255
CH-20	Back color G	dark to bright linear dimming	0-255
CH-21	Back color B	dark to bright linear dimming	0-255
CH-22	Back color W	dark to bright linear dimming	0-255
CH-23	Reset	NO	0-250
		Reset within 5s	251-255
CH-24	R1 LED dimmer	R1 LED dimming	0-255
CH-25	G1LED dimmer	G1 LED dimming	0-255
CH-26	B1 LED dimmer	B1 LED dimming	0-255
CH-27	W1LED dimmer	W1 LED dimming	0-255

CH-18	Dimming Mode	Mode -2	50 --- 99
		Mode -3	100---149
		Mode -4	150---255
CH-19	Reset	NO	0-250
		Reset within 5s	251---255
CH-20	Zoom	Zoom	0-255
CH-21	Lens rotation	0~60°	0-155
		Clockwise infinite rotation	156-205
		Counterclockwise rotation	206-255

### Model 2 - CH23

Channel	Display	Function	Value
CH-1	Pan	0-540°	0 --- 255
CH-2	Pan adjustment	16bit adjustment	0 --- 255
CH-3	Tilt	0-205°	0 --- 255

CH-4	Tilt adjustment	16bit adjustment	0 --- 255
CH-5	XY speed	Speed from fast to slow	0 --- 255
CH-6	Zoom	Angle from small to large	0 --- 255
CH-7	Lens rotation	0~60°	0-155
		Clockwise infinite rotation from fast to slow	156-205
		Counterclockwise rotation from slow to fast	206-255
CH-8	Dimmer	dark to bright linear dimming	0 --- 255
CH-9	Strobe	Synchro strobe speed	4---203
		From slow to fast (1HZ-25HZ)	
		Random strobe	204--255
CH-10	R dimming	dark to bright linear dimming	0-255
CH-11	G dimming	dark to bright linear dimming	0-255
CH-12	B dimming	dark to bright linear dimming	0-255

		Mixed color pattern 1	130--145
		Mixed color pattern 2	146--161
		....	....
		Mixed color pattern 7	226--241
		Mixed color pattern 8	242--255
CH-17	Dynamic pattern	NO	0--9
		Monochrome dynamic pattern 1	10--17
		Monochrome dynamic pattern 2	18--25
		.....	.....
CH-17	Dynamic pattern	Monochrome pattern 21	170--177
		Mixed color dynamic pattern 1	178--185
		Mixed color dynamic pattern 2	186--193
		.....	.....
		Mixed color dynamic pattern 9	242--249

		7000K	241--245
		7500K	246--250
		8000K	251--255
CH-15	Macro color	No	0--9
		Macro color 1	10--23
		Macro color 2	24--37
		....	....
		Macro color 16	234--247
CH-15	Macro color	Macro color 17	248--255
		No	0--9
		Monochrome pattern 1	10--19
		Monochrome pattern 2	20--29
		.....	.....
CH-16	Static pattern	Monochrome pattern 12	120--129

CH-13	W dimming	dark to bright linear dimming	0-255
		No	0 ---15
		R100%,G UP,B0%	16---35
		R DOWM,G100%,B0%	36---55
		R0%,G100%,B UP	56---75
		R0%,G DOWM,B100%	76---95
CH-14	Color temperature	R UP,G0%,B100%	96---115
		R100%,G0%,B DOWM	116---135
		R100%,G UP,B UP	136---155
		R down,G down, B 100%	156---175
		R100%,G100%,B100%,W100%	176---195
		2800K	196---200
		3200K	201---205
		3500K	206---210

CH-14	Color temperature	4000K	211---215
		4500K	216---220
		5000K	221---225
		5500K	226--230
		6000K	231--235
		6500K	236--240
		7000K	241--245
		7500K	246--250
		8000K	251--255
CH-15	Macro color	No	0--9
		Macro color 1	10--23
		Macro color 2	24--37
		....	....
CH-15	Macro color	Macro color 16	234--247

CH-14	Color temperature	R UP,G0%,B100%	96---115
		R100%,G0%,B DOWM	116---135
		R100%,G UP,B UP	136---155
		R down,G down, B 100%	156---175
		R100%,G100%,B100%,W100%	176---195
		2800K	196---200
		3200K	201---205
		3500K	206---210
		4000K	211---215
		4500K	216---220
		5000K	221---225
		5500K	226--230
CH-14	Color temperature	6000K	231--235
		6500K	236--240



CH-8	Dimmer	dark to bright linear dimming	0 --- 255
CH-9	Strobe	Turn on the light	0---3
		Synchro strobe speed	4---203
		From slow to fast (1HZ-25HZ)	
		Random strobe	204--255
CH-10	R dimming	dark to bright linear dimming	0-255
CH-11	G dimming	dark to bright linear dimming	0-255
CH-12	B dimming	dark to bright linear dimming	0-255
CH-13	W dimming	dark to bright linear dimming	0-255
		No	0 ---15
		R100%,G UP,B0%	16---35
		R DOWM,G100%,B0%	36---55
		R0%,G100%,B UP	56---75
		R0%,G DOWM,B100%	76---95

		Macro color 17	248--255
CH-16	Static pattern	No	0--9
		Monochrome pattern 1	10--19
		Monochrome pattern 2	20--29
		.....	.....
		Monochrome pattern 12	120--129
		Mixed color pattern 1	130--145
		Mixed color pattern 2	146--161
		....	....
		Mixed color pattern 7	226--241
		Mixed color pattern 8	242--255
CH-17		NO	0--9
		Monochrome dynamic pattern 1	10--17
		Monochrome dynamic pattern 2	18--25

CH-17	Dynamic pattern	.....	.....
		Monochrome pattern 21	170--177
		Mixed color dynamic pattern 1	178--185
		Mixed color dynamic pattern 2	186--193
		.....	.....
		Mixed color dynamic pattern 9	242--249
		Mixed color dynamic pattern 10	250--255
CH-18	Dynamic pattern speed	Forward, from fast to slow (with 17CH)	0--127
		Reverse, from slow to fast(with 17CH)	128--255
CH-19	Back color R	dark to bright linear dimming	0-255
CH-20	Back color G	dark to bright linear dimming	0-255
CH-21	Back color B	dark to bright linear dimming	0-255
CH-22	Back color W	dark to bright linear dimming	0-255

CH-49	W7 LED dimming	W7 LED dimming	0-255
-------	----------------	----------------	-------

### Model 6 - CH51

Channel	Display	Function	Value
CH-1	Pan	0-540°	0 --- 255
CH-2	Pan adjustment	16bit adjustment	0 --- 255
CH-3	Tilt	0-205°	0 --- 255
CH-4	Tilt adjustment	16bit adjustment	0 --- 255
CH-5	XY speed	Speed from fast to slow	0 --- 255
CH-6	Zoom	Angle from small to large	0 --- 255
CH-7	Lens rotation	0~60°	0-155
		Clockwise infinite rotation from fast to slow	156-205
		Counterclockwise rotation from slow to fast	206-255

CH-19	Reset	NO	0-250
		Reset within 5s	251---255
CH-20	Zoom	Zoom	0-255
CH-21	Lens rotation	0~60°	0--155
		Clockwise infinite rotation	156--205
		Counterclockwise rotation	206--255
CH-22	R1 LED dimming	R1 LED dimming	0-255
CH-23	G1 LED dimming	G1 LED dimming	0-255
CH-24	B1 LED dimming	B1 LED dimming	0-255
CH-25	W1 LED dimming	W1 LED dimming	0-255
CH-26	.....	.....	0-255
CH-46	R7 LED dimming	R7 LED dimming	0-255
CH-47	G7 LED dimming	G7 LED dimming	0-255
CH-48	B7 LED dimming	B7 LED dimming	0-255

CH-23	Reset	NO	0-250
		Reset within 5s	251--255

### Model 3 - CH35

Channel	Display	Function	Value
CH-1	Red	Red dimming	0 --- 255
CH-2	Red adjustment	Red adjustment	0 --- 255
CH-3	Green	Green dimming	0 --- 255
CH-4	Green adjustment	Green adjustment	0 --- 255
CH-5	Blue	Blue dimming	0 --- 255
CH-6	Blue adjustment	Blue dimming	0 --- 255
CH-7	White	White dimming	0 --- 255
CH-8	White adjustment	White adjustment	0 --- 255
		No	0 ---15
		R100%,G UP,B0%	16---35

CH-9	Color temperature	R DOWM,G100%,B0%	36---55
		R0%,G100%,B UP	56---75
		R0%,G DOWM,B100%	76---95
		R UP,G0%,B100%	96---115
		R100%,G0%,B DOWM	116--135
		R100%,G UP,B UP	136---155
		R down,G down, B 100%	156---175
		R100%,G100%,B100%,W100 %	176---195
		2800K	196---200
		3200K	201---205
		3500K	206---210
		4000K	211---215
		4500K	216---220

CH-11	Strobe	Turn on the light	0---3
		Synchro strobe speed	
		slow to fast (1HZ-25HZ)	4---203
		Random strobe	204--255
CH-12	Dimmer	dark to bright linear dimming	0 --- 255
CH-13	Dimmer adjust	Dimmer adjustment control	0 --- 255
CH-14	Pan	Pan control	0 --- 255
CH-15	Pan adjustment	Pan adjustment control	0 --- 255
CH-16	Tilt	Tilt control	0 --- 255
CH-17	Tilt adjustment	Tilt adjustment control	0 --- 255
CH-18	Dimming Mode	Mode -1	0 --- 49
		Mode -2	50 --- 99
		Mode -3	100---149
		Mode -4	150---255

CH-9	Color temperature	4500K	216---220
		5000K	221---225
		5500K	226--230
		6000K	231--235
		6500K	236--240
		7000K	241--245
		7500K	246--250
		8000K	251--255
CH-10	Macro color	No	0--9
		Macro color 1	10--23
		Macro color 2	24--37
		....	....
		Macro color 16	234--247
		Macro color 17	248--255

CH-9	Color temperature	5000K	221---225
		5500K	226--230
		6000K	231--235
		6500K	236--240
		7000K	241--245
		7500K	246--250
		8000K	251--255
		CH-10	Macro color
Macro color 1	10--23		
Macro color 2	24--37		
....	....		
Macro color 16	234--247		
CH-10	Macro color	Macro color 17	248--255
		Turn on the light	0---3

CH-11	Strobe	Synchro strobe speed	
		slow to fast (1HZ-25HZ)	4---203
		Random strobe	204--255
CH-12	Dimmer	dark to bright linear dimming	0 --- 255
CH-13	Dimmer adjust	Dimmer adjustment control	0 --- 255
CH-14	Pan	Pan control	0 --- 255
CH-15	Pan adjustment	Pan adjustment control	0 --- 255
CH-16	Tilt	Tilt control	0 --- 255
CH-17	Tilt adjustment	Tilt adjustment control	0 --- 255
CH-18	Dimming Mode	Mode -1	0 --- 49
		Mode -2	50 --- 99
		Mode -3	100---149
		Mode -4	150---255
		NO	0-250

CH-9	Color temperature	No	0 ---15
		R100%,G UP,B0%	16---35
		R DOWM,G100%,B0%	36---55
		R0%,G100%,B UP	56---75
		R0%,G DOWM,B100%	76---95
		R UP,G0%,B100%	96---115
		R100%,G0%,B DOWM	116--135
		R100%,G UP,B UP	136---155
		R down,G down, B 100%	156---175
		R100%,G100%,B100%,W100	176---195
		2800K	196---200
		3200K	201---205
		3500K	206---210
		4000K	211---215

CH-28	.....	.....	.....
CH-40	R7 LED dimming	R7 LED dimming	0-255
CH-41	G7 LED dimming	G7 LED dimming	0-255
CH-42	B7 LED dimming	B7 LED dimming	0-255

**Model 5 - CH49**

Channel	Display	Function	Value
CH-1	Red	Red dimming	0 --- 255
CH-2	Red adjustment	Red adjustment	0 --- 255
CH-3	Green	Green dimming	0 --- 255
CH-4	Green adjustment	Green adjustment	0 --- 255
CH-5	Blue	Blue dimming	0 --- 255
CH-6	Blue adjustment	Blue dimming	0 --- 255
CH-7	White	White dimming	0 --- 255
CH-8	White adjustment	White adjustment	0 --- 255

CH-19	Reset	Reset within 5s	251---255
CH-20	Zoom	Zoom	0-255
CH-21	Lens rotation	0~60°	0--155
		Clockwise infinite rotation	156--205
		Counterclockwise rotation	206--255
CH-22	Pattern rotation	NO	0--9
		Monochrome dynamic pattern 1	10--17
		Monochrome dynamic pattern 2	18--25
		.....	.....
		Monochrome pattern 21	170--177
		Mixed color dynamic pattern 1	178--185
		Mixed color dynamic pattern 2	186--193
		.....	.....

CH-22	Pattern rotation	Mixed color dynamic pattern 9	242--249
		Mixed color dynamic pattern 10	250--255
CH-23	Pattern effect speed	No	0--9
		Forward, from fast to slow (with 22CH)	10--132
		Reverse, from slow to fast(with 22CH)	133--255
CH-24	Pattern effect fade	Pattern effect fade	0-255
CH-25	Background R	Pattern effect R	0-255
CH-26	Background G	Pattern effect G	0-255
CH-27	Background B	Pattern effect B	0-255
CH-28	Background W	Pattern effect W	0-255
CH-29	Pattern dimming	Pattern 0-100% dimming	0-255
CH-30	Background dimming	Background 0-100% dimming	0-255

CH-18	Dimming Mode	Mode -3	100---149
		Mode -4	150---255
CH-19	Reset	NO	0-250
		Reset within 5s	251---255
CH-20	Zoom	Zoom	0-255
CH-21	Lens rotation	0~60°	0--155
		Clockwise infinite rotation	156--205
		Counterclockwise rotation	206--255
CH-22	R1 LED dimming	R1 LED dimming	0-255
CH-23	G1 LED dimming	G1 LED dimming	0-255
CH-24	B1 LED dimming	B1 LED dimming	0-255
CH-25	R2 LED dimming	R2 LED dimming	0-255
CH-26	G2 LED dimming	G2 LED dimming	0-255
CH-27	B2 LED dimming	B2 LED dimming	0-255



		Macro color 16	234--247
		Macro color 17	248--255
CH-11	Strobe	Turn on the light	0---3
		Synchro strobe speed	
		slow to fast (1HZ-25HZ)	4---203
		Random strobe	204--255
CH-12	Dimmer	dark to bright linear dimming	0 --- 255
CH-13	Dimmer adjust	Dimmer adjustment control	0 --- 255
CH-14	Pan	Pan control	0 --- 255
CH-15	Pan adjustment	Pan adjustment control	0 --- 255
CH-16	Tilt	Tilt control	0 --- 255
CH-17	Tilt adjustment	Tilt adjustment control	0 --- 255
		Mode -1	0 --- 49
		Mode -2	50 --- 99

CH-31	Pattern change	Pattern change control	0-255
CH-32	Pattern movement	Pattern movement(with 22CH)	0-255
CH-33	Prospects strobe	Prospects strobe	0-255
CH-34	Background strobe	Background strobe	0-255
CH-35	Background pattern selection	Background selection	0-255

#### Model 4 - CH42

Channel	Display	Function	Value
CH-1	Red	Red dimming	0 --- 255
CH-2	Red adjustment	Red adjustment	0 --- 255
CH-3	Green	Green dimming	0 --- 255
CH-4	Green adjustment	Green adjustment	0 --- 255
CH-5	Blue	Blue dimming	0 --- 255
CH-6	Blue adjustment	Blue dimming	0 --- 255

CH-7	White	White dimming	0 --- 255
CH-8	White adjustment	White adjustment	0 --- 255
CH-9	Color temperature	No	0 ---15
		R100%,G UP,B0%	16---35
		R DOWM,G100%,B0%	36---55
		R0%,G100%,B UP	56---75
		R0%,G DOWM,B100%	76---95
		R UP,G0%,B100%	96---115
		R100%,G0%,B DOWM	116--135
		R100%,G UP,B UP	136---155
		R down,G down, B 100%	156---175
		R100%,G100%B100%W100%	176---195
			2800K
		3200K	201---205

CH-9	Color temperature	3500K	206---210
		4000K	211---215
		4500K	216---220
		5000K	221---225
		5500K	226--230
		6000K	231--235
		6500K	236--240
		7000K	241--245
		7500K	246--250
	8000K	251--255	
CH-10	Macro color	No	0--9
CH-10	Macro color	Macro color 1	10--23
		Macro color 2	24--37
		....	....