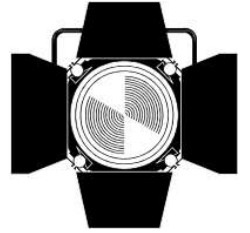


VIKING

STAGE LIGHTING



VK1024 Wireless DMX Recorder & Player



V 1.3

User Manual

This manual contains important information.
Please read before operating fixture.



INTRODUCTION

The VK 1024 DMX Recorder is a very useful and versatile DMX tool. It can work as a DMX recorder, signal booster, signal converter and merger. To optimize the

What Is Included

The following items are included in the box:

- 1 pc VK 1024 Recorder (W-RECORDER24)
- 1 pc Power cable
- 1 pc User Manual

Carefully unpack the carton, check the contents to ensure that all parts are present, and have been received in good condition. Contact your supplier immediately and retain packing material for inspection if any part is missing or damaged.

Safety Instruction



WARNING!!! To reduce the risk of fire, electric shock, or injury to persons, follow these important safety instructions:

- This product is intended for indoor use only!
- Always turn off, unplug power and allow fixture to cool before servicing.
- Ensure that fixture is properly grounded.
- Please keep this User Guide for future consultation.
- To prevent risk of fire or shock, do not expose fixture to rain or moisture.
- The unit must be installed in a location with adequate ventilation. Be sure no ventilation slots are blocked.
- Make sure power cord is never crimped or damaged.
- Do not remove the top cover under any conditions. There are no user serviceable parts inside.
 - Disconnect the unit's main power when left unused for long periods of time.
 - Never connect this unit to a dimmer pack.
 - Never operate this unit when it's cover is removed.
 - Any damage caused by manual modifications are not subject to warranty.

Software updating

The software can be upgraded via SD card as following steps:

- 1) Copy the new software (SSCR10AM & SSCR10AS) to the root directory of SD card.
- 2) Insert SD card and press Menu button till "SYSTEM setup [new software]" shows on display.
- 3) Press Enter button.

SPECIFICATIONS

Default IP address: 2.114.34.200

DMX In: 2 x 3pin (or 5pin) XLR male

DMX Out: 2 x 3pin (or 5pin) XLR female

Power consumption: 6w max.

Power In: AC 100-240V 50-60Hz

Dimension: 225*130*55 mm

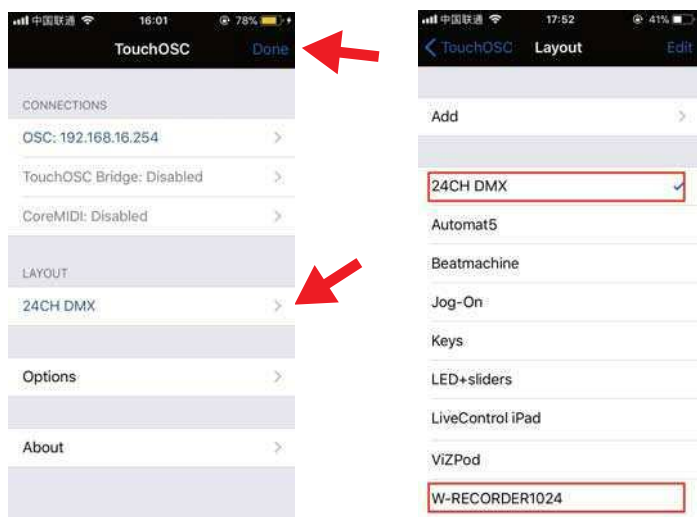
Weight: 0.70 kg

IMPORTANT INFORMATION!

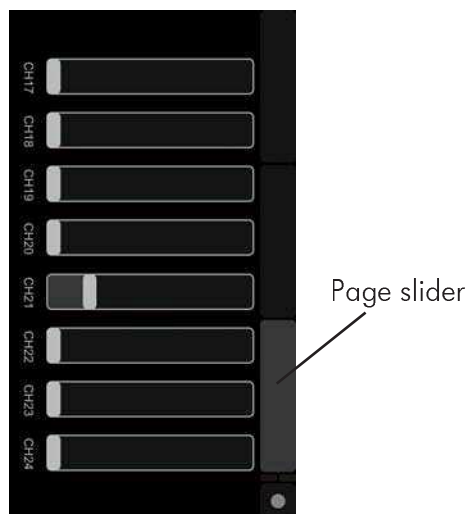
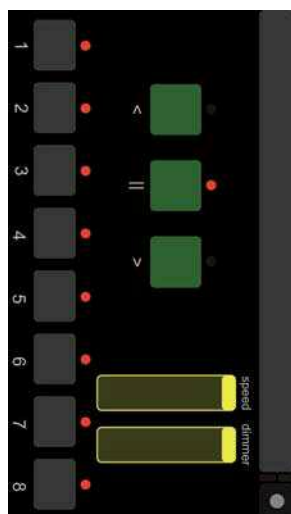
In order to optimize the recovery and recycling of the materials that old appliances contain and reduce the impact on human health and the environment, ensure that this product is recycled at the end of its life.



12. To select Replay or 24CH DMX, click the layout and select the tool you'd like to use, and then click Done.



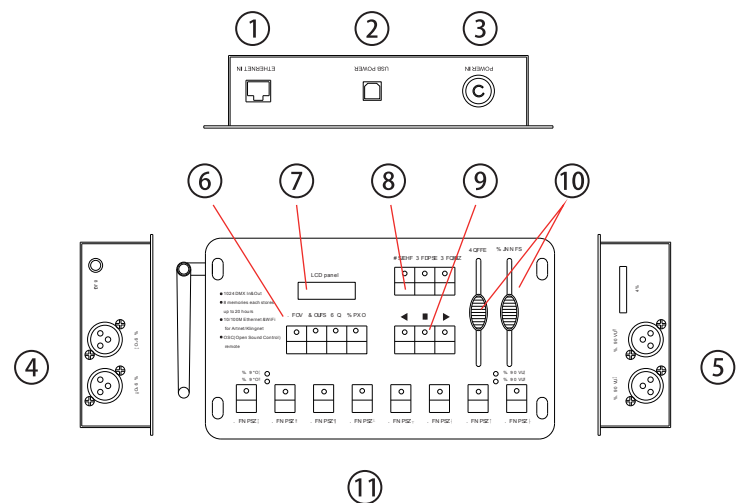
13. When W-RECORDER24 is selected, you have the same layout as the unit. Now you can use your iPhone/iPad to replay the memories. When 24CH DMX is selected, you have a 24ch desk in your hand. Use page slider to select 1-3 page.



Features

- Supports ArtNet and DMX
- 1024 channels DMX in & out
- Real-time record and replay via DMX or WiFi
- 8 Memories and each up to 20 hours can be stored in SD card
- Replay can run in solo or loop mode
- Replay can run on iPad/iPhone via TouchOSC
- DMX signal booster
- DMX input to Artnet output via wifi or Lan cable
- Artnet input to Artnet output via wifi
- Artnet input via wifi to Artnet output via Lan cable
- Artnet input via Lan cable to 2 DMX outputs
- Artnet input via wifi to 2 DMX outputs
- DMX Merger
- 24CH DMX (Simple Desk)

Product Overview

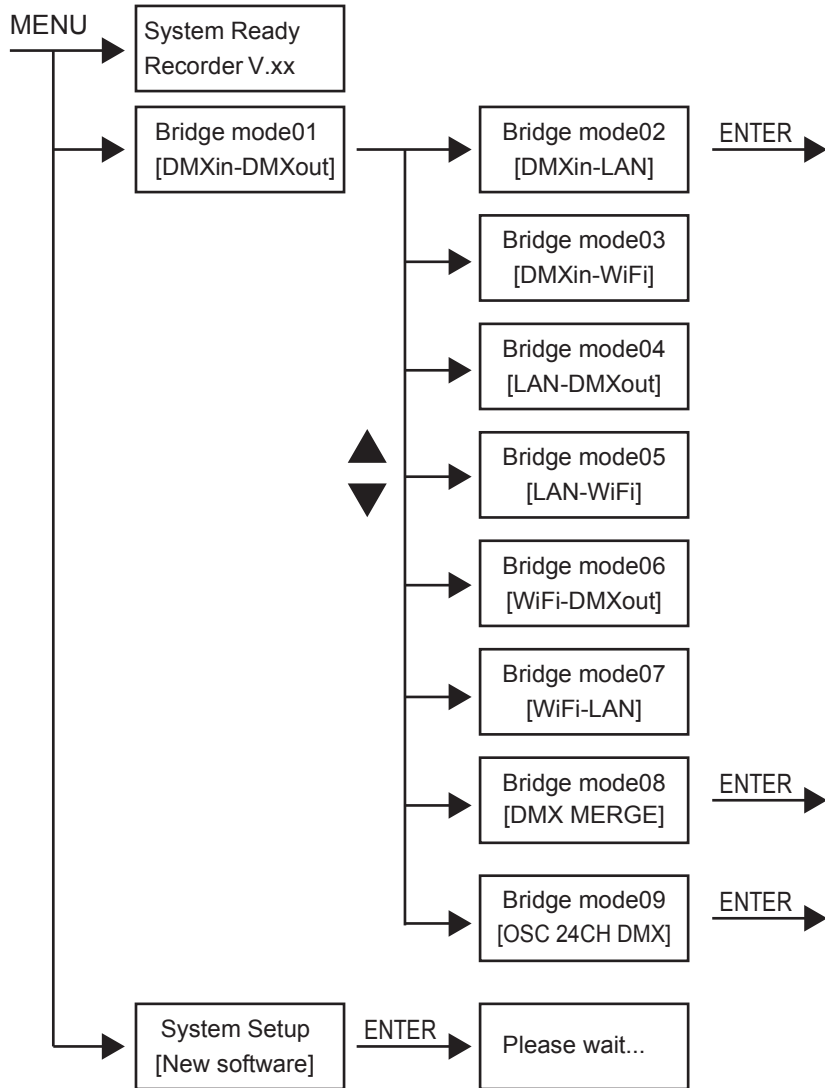


1. Ethernet In 2. USB power out (5V DC/120mA) 3. Power In 4. DMX In 5. DMX Out 6. Menu/Enter/Up/Down 7. LCD display 8. BRIDGE/RECORD/REPLAY 9. LEFT/PAUSE/RIGHT 10. Speed & Dimmer slider 11. Memory button 1-8

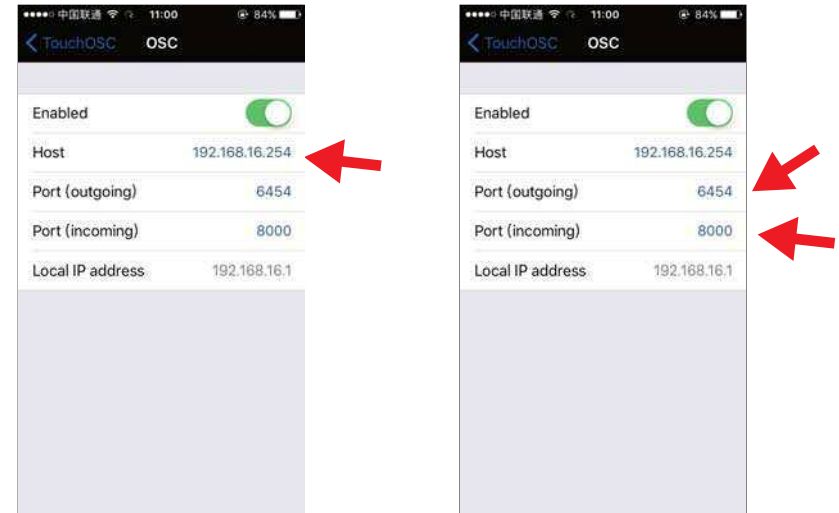
OPERATING INSTRUCTIONS

BRIDGE

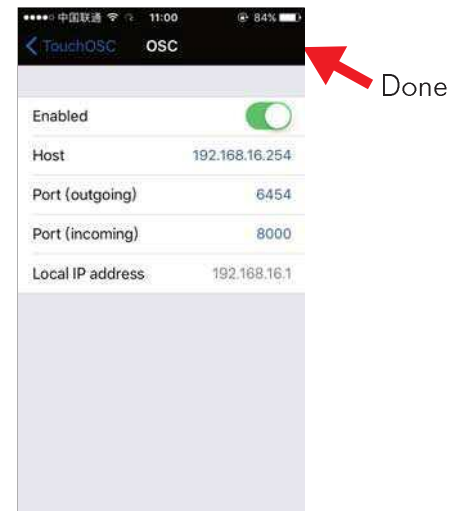
Under BRIDGE, the unit works as a signal converter. Press BRIDGE button and its LED is lit up. Then use MENU/ENTER/UP/DOWN to select different modes as below.



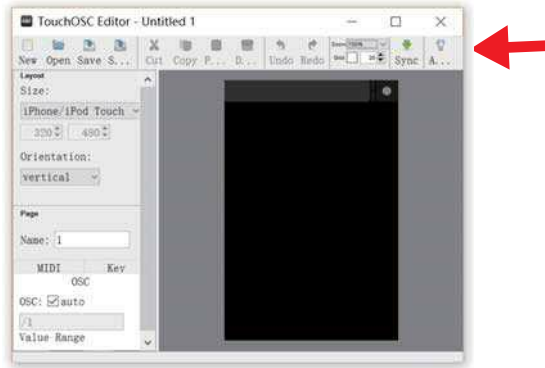
10. Click on OSC:192.168.16.254 (IP of RECORDER) and then set Port(outgoing): 6454 and Port(incoming): 8000 as figure below.



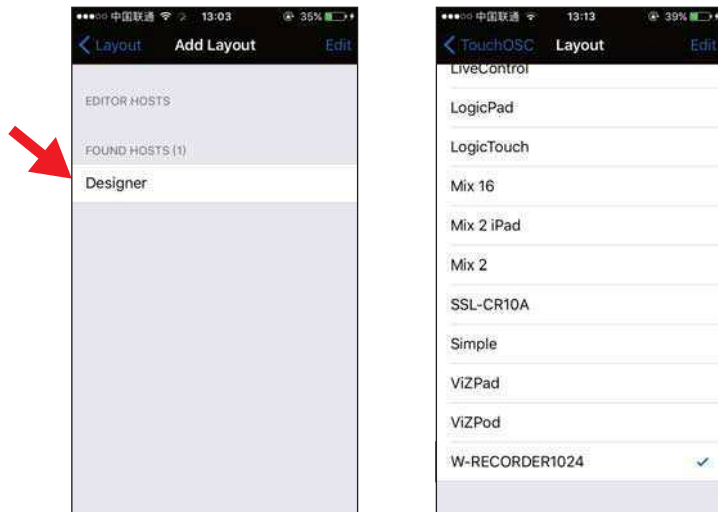
11. Click DONE and now your iPhone/IPAD is ready for Replay and 24CH



8. Click "Sync" on TouchOSCEditor and the name of PC/laptop will be shown on your iPhone/iPad.



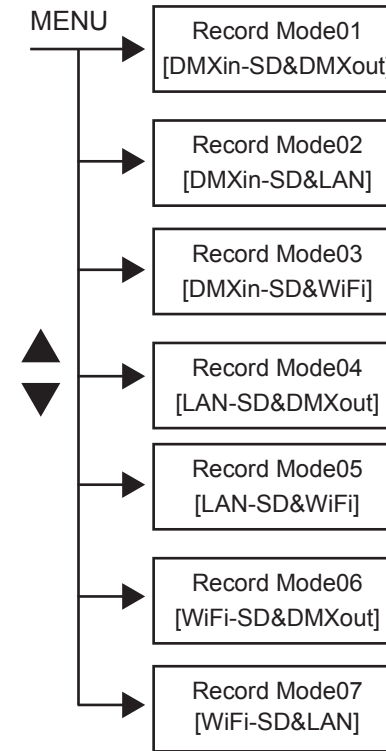
9. Click the name of PC/laptop on your iPhone/iPad and confirm OK, then you will see the name in layout list. Click and select it.



RECORD

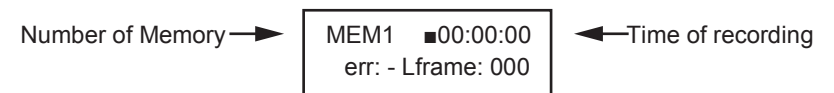
Data of lighting show can be recorded from the Ethernet network , WiFi or 2 DMX inputs. Each memory can be up to 20 hours.

1. Press RECORD button and its LED is lit up.
2. Use UP/DOWN to select record modes as below.



3. Press 1-8 button to select Memory for recording. The LED of selected Memory is blinking and corresponding number "MEMX(1-8)" will be showed on LCD.

4. Press ► button to start recording, to pause and ◀ to end recording.



REPLAY

Replay can be in solo or loop mode. And operation of replay can be on the unit or iPhone/iPad via TouchOSC.

Replay on unit

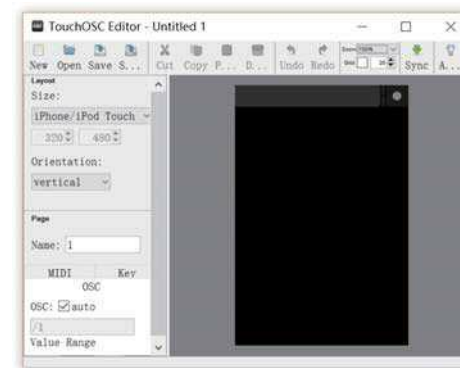
1. Press REPLAY button and its LED is lit up. The unit goes to last status of replay.
2. Use ◀ and ▶ button to run in loop mode, button to run in solo mode.
3. In loop mode, LED indicator of ◀(or ▶) is blinking. ◀ and ▶ button indicate the direction of running. The LED indicators of selected memory are lit up and the blinking one is in running.
4. When in loop mode, press button to pause, press button again to enter solo mode and its LED is blinking. In solo mode, the selected MEM (memorie) are lit up. Press the selected one to run in solo mode and its LED is blinking.
5. Use SPEED slider to adjust running speed from 25% to 200%. Use DIMMER slider to adjust output from 0 to 100%.

NOTE: MEM button without recording data can't be selected in REPLAY.

Replay or OSC 24CH DMX on a iPhone/iPad

In order to use a iPhone or iPad to control the W-Recorder 1024, you need to install TouchOSC and upload the interface of RECORDER on your iPhone/iPad.

1. Download TouchOSC from Apple Stores and install it on your iPhone/iPad.
2. Click on OSC and run it on your iPhone/iPad.
3. Power on W-RECORDER 1024.
4. Connect your iPhone/iPad with the RECORDER. Click WLAN setup on your iPhone/iPad and select DMX RECORDER XX. Password is 12345678.
5. Download TouchOSCEditor.exe (<https://hexler.net/software/touchosc>) and install it on your PC/laptop.
6. Run TouchOSCEditor and click "Open" and select "W-RECORDER1024.touchosc" and "24CH DMX.touchosc" file on your PC/laptop.



7. Click on the dot in the upper right corner of your iPhone/iPad, and then click LAYOUT and Add.

