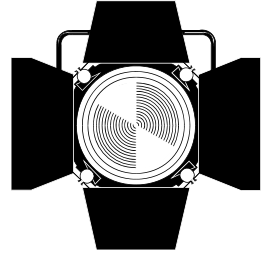
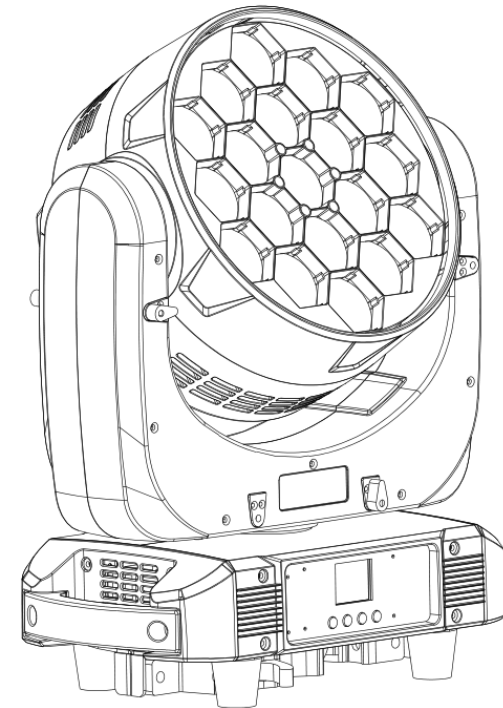


VIKING ***STAGE LIGHTING***



VK 1941 Super Vortex



User manual

Please read the instructions carefully before use

TABLE OF CONTENTS

1. Safety Instructions	1 - 3
2. Technical Specifications.....	5
3. How To Control The Unit.....	6
4. DMX Channel List.....	16
5. Shape.....	18
6. Trouble shooting.....	19
7. Fixture Cleaning	20

statement

The product has well capability and intact packing when leave factory. All of the user should comply with warning item and manual, any misuse cause of the damages are not included in our guarantee, and also can not be responsible for any malfunction & problem owing to ignore the manual.

1. The stepper motor might be damaged or the cable connected to the PCB is broken.
2. The motor's drive IC on the PCB might be out of condition.

8. Fixture Cleaning

The cleaning of internal and external optical lenses and/or mirrors must be carried out periodically to optimize light output. Cleaning frequency depends on the environment in which the fixture operates: damp, smoky or particularly dirty surrounding can cause greater accumulation of dirt on the unit's optics.

- **Clean with soft cloth using normal glass cleaning fluid.**
- **Always dry the parts carefully.**
- **Clean the external optics at least every 20 days. Clean the internal optics at least every 30/60 days.**

1. Safety Instructions

Please keep this User Guide for future consultation. If you sell the unit to another user, be sure that they also receive this instruction booklet.

- ▣ Unpack and check carefully there is no transportation damage before using the unit.
- ▣ Before operating, ensure that the voltage and frequency of power supply match the power requirements of the unit.
- ▣ It's important to ground the yellow/green conductor to earth in order to avoid electric shock.
- ▣ The unit is for indoor use only. Use only in a dry location.
- ▣ The unit must be installed in a location with adequate ventilation, at least 50cm from adjacent surfaces. Be sure that no ventilation slots are blocked.
- ▣ Disconnect main power before replacement or servicing.

- ▣ Make sure there are no flammable materials close to the unit while operating as it is fire hazard.
- ▣ Use safety cable when fixes this unit. DO NOT handle the unit by taking its head only, but always by taking its base.

- ▣ Maximum ambient temperature is Ta: 40°C. DO NOT operate it where the temperature is higher than this Unit surface temperature may reach up to 85°C. DO NOT touch the housing bare-hand during its operation. Turn off the power and allow about 15 minutes for the unit to cool down before replacing or serving.

- ▣ In the event of serious operating problem, stop using the unit immediately. Never try to repair the unit by yourself. Repairs carried out by unskilled people can lead to damage or malfunction. Please contact the nearest authorized technical assistance center. Always use the same type spare parts.

⚠ DO NOT touch any wire during operation as high voltage might be causing electric shock.

Warning:

⚠ To prevent or reduce the risk of electrical shock or fire, do not expose the unit to rain or moisture.

⚠ DO NOT open the unit within five minutes after switching off.

⚠ The housing, the lenses, or the ultraviolet filter must be replaced if they are visibly damaged.

Caution:

There are no user serviceable parts inside the unit. DO NOT open the housing or attempt any repairs yourself. In the unlikely event your unit may require service, please contact your nearest dealer.

Installation:

The unit should be mounted via its screw holes on the bracket. Always ensure that the unit is firmly fixed to avoid vibration and slipping while operating. And make sure that the structure to which you are attaching the unit is secure and is able to support a weight of 10 times of the unit's weight. Also always use a safety cable that can hold 12 times of the weight of the unit when installing the fixture.

The equipment must be fixed by professionals. And it must be fixed at a place where is out of the touch of people.

7. Trouble shooting

Following are a few common problems that may occur during operation. Here are some suggestions for easy troubleshooting:

A. The unit does not work, no light and the fan does not work

1. Check the connection of power and main fuse.
2. Measure the mains voltage on the main connector.
3. Check the power on LED.

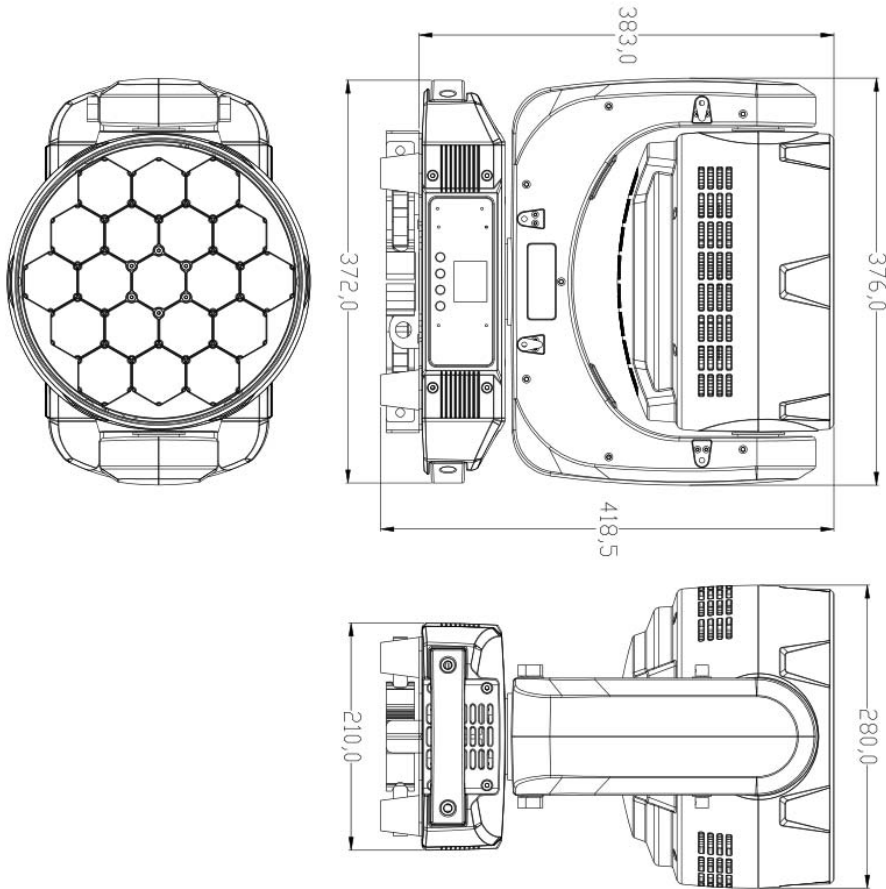
B. Not responding to DMX controller

1. DMX LED should be on. If not, check DMX connectors, cables to see if link properly.
2. If the DMX LED is on and no response to the channel, check the address settings and DMX polarity.
3. If you have intermittent DMX signal problems, check the pins on connectors or on PCB of the unit or the previous one.
4. Try to use another DMX controller.
5. Check if the DMX cables run near or run alongside to high voltage cables that may cause damage or interference to DMX interface circuit.

C. One of the channels is not working well

CH-99	W19 LED dimmer	W19 LED dimming	0-255
-------	----------------	-----------------	-------

6. Shape



2. Technical Specifications

Light Sources: 19*40W 4IN1 Osram RGBW LED

Beam Angle: 3°- 45°

Power Consumption: 750w

Power Voltage: AC 100-260V, 50/60Hz

Net Weight: 16.5 kgs

Gross Weight: 18 Kgs

Control

DMX Channel: 21/23/35/78/92/97/99 Channels

Control Modes: DMX512/master-Slave/Auto Run/Music

Pan/Tilt

Pan : 540°/ 360° , Tilt : 270°

Pan/Tilt Resolution: 8/16 bit

Construction

Display: 180° reversible LCD Display

Data In/Out socket: 3-pin & 5-pin XLR sockets

Power Socket: Power Con in/out

Protection Rating: IP20

Features

LED single control, can display arrows, numbers, letters and patterns

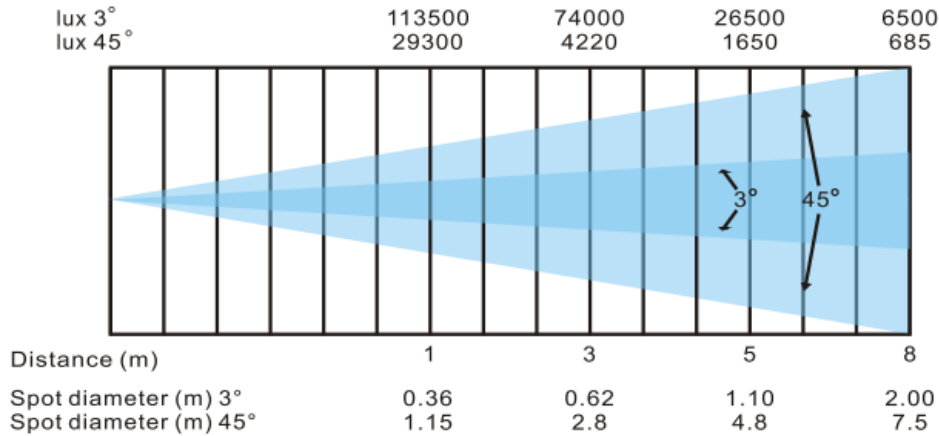
High-efficiency optical system , wonderful flower effect plus zoom

Fan work speed auto adjustable with head temperature

Led temperature protection & Fan run speed automatic based on the head temperature.

3. Lux Date

Min Zoom range = 3°
 Max Zoom range = 45°



4. How To Control The Unit



Menu Up Down Enter

CH-18	Dynamic pattern speed	Forward, from fast to slow (with 17CH)	0--127
		Reverse, from slow to fast(with 17CH)	128--255
CH-19	Back color R	dark to bright linear dimming	0-255
CH-20	Back color G	dark to bright linear dimming	0-255
CH-21	Back color B	dark to bright linear dimming	0-255
CH-22	Back color W	dark to bright linear dimming	0-255
CH-23	Reset	NO	0-250
		Reset within 5s	250-255
CH-24	R1 LED dimmer	R1 LED dimming	0-255
CH-25	G1LED dimmer	G1 LED dimming	0-255
CH-26	B1 LED dimmer	B1 LED dimming	0-255
CH-27	W1LED dimmer	W1 LED dimming	0-255
.....
CH-96	R19 LED dimmer	R19 LED dimming	0-255
CH-97	G19 LED dimmer	G19 LED dimming	0-255
CH-98	B19 LED dimmer	B19 LED dimming	0-255

CH-16	Static pattern	Monochrome pattern 1	10--12	
		Monochrome pattern 2	13--15	
	(3 numbers 1 pattern)	
		Monochrome pattern 67	208--210	
		Mixed color pattern 1	211--213	
		Mixed color pattern 2	214--216	
	(3 numbers 1 pattern)	
		Mixed color pattern 14	250--252	
		Mixed color pattern 15	253--255	
CH-17	Dynamic pattern	NO	0--9	
		Monochrome dynamic pattern 1	10--14	
		Monochrome dynamic pattern 2	15--19	
	(5 numbers 1 pattern)	
		Monochrome pattern 30	155--159	
	CH-17	Dynamic pattern	Mixed color dynamic pattern 1	160--164
			Mixed color dynamic pattern 2	165--169
		(5 numbers 1 pattern)
			Mixed color dynamic pattern 13	220--224
			Mixed color dynamic pattern 14	225--255

Display:

MENU To select the programming functions
 DOWN To go backward in the selected functions
 uP To go forward in the selected functions
 ENTER To confirm the selected functions

Set DMX Address Code

- 1 Press "**Menu**" to "Set DMX Address",and press"**ENTER**" keys to enter into
- 2 Show "Set DMX Address DMX Address:**001**",Press the "**UP and DOWN**" keys to amended
- 3 Press "**ENTER**"keys to save and Exit,Press the"**MENU**"Keys does not save and Exit
- 4

Menu	Pan Degree	1) 540 ° , 2)360°	X-axis running angle selection
	Mic Sense	001 - 100	Sound sensitivity adjustment
	Language	English	Chinese
	Reset	Yes	No
	Default	Yes	No
	Adjust	Pass Word: up+down+up+down	
		Pan	0 - 255
		Tilt	0 - 255
		Focus	0 - 255
		Red	0 - 255
	Green	0 - 255	

		Blue	0 - 255
		White	0 - 255
Address	Setting from 001 - 512		
Reverse	Forward or reversed setting	Pan	1.Yes
			2.No
		Tilt	1.Yes
			2.No
		Display	1.Yes
			2.No
Information	1.CH Value	Each channel show CH value	
	2.Temp ____°C	Show the temperature of led board	
Information	3.Soft V1.1	Show the version number	
Channel	21 channels		
	23 channels		
	35 channels		
	78 channels		
	92 channels		
	97 channels		
	99channels		
Mode	DMX 512		
	AUTO		
	SOUND		

CH-14	Color temperature	3200K	201---205
		3500K	206---210
		4000K	211---215
		4500K	216---220
		5000K	221---225
		5500K	226--230
		6000K	231--235
		6500K	236--240
		7000K	241--245
		7500K	246--250
	8000K	251--255	
CH-15	Macro color	No	0--9
		Macro color 1	10--19
		Macro color 2	20--29
	(10 numbers 1 macro color)
CH-15	Macro color	Macro color 24	240--249
		Macro color 25	250--255
		No	0--9

CH-10	R dimming	dark to bright linear dimming	0-255
CH-11	G dimming	dark to bright linear dimming	0-255
CH-12	B dimming	dark to bright linear dimming	0-255
CH-13	W dimming	dark to bright linear dimming	0-255
CH-14	Color temperature	No	0 ---15
		R100%,G UP,B0%	16---35
		R DOWM,G100%,B0%	36---55
		R0%,G100%,B UP	56---75
		R0%,G DOWM,B100%	76---95
		R UP,G0%,B100%	96---115
		R100%,G0%,B DOWM	116---135
		R100%,G UP,B UP	136---155
		R downm,G downm, B 100%	156---175
		R100%,G100%,B100%,W100%	176---195
2800K	196---200		

Manual	Master	Pan: 0--255	Manual Control
		Tilt:0--255	
		Focus:0--255	
		Rota:0-255	
		Red: 0--255	
	Alone	Greed: 0--255	
		Blue: 0--255	
		White: 0--255	
		Strobe: 0-255	

5.DMX Channel List

Model 1 - CH21

Channel	Display	Function	Value
CH-1	Red	Red dimming	0 --- 255
CH-2	Red adjustment	Red adjustment	0 --- 255
CH-3	Green	Green dimming	0 --- 255
CH-4	Green adjustment	Green adjustment	0 --- 255
CH-5	Blue	Blue dimming	0 --- 255
CH-6	Blue adjustment	Blue dimming	0 --- 255
CH-7	White	White dimming	0 --- 255

CH-8	White adjustment	White adjustment	0 --- 255
CH-9	Color temperature	No	0--15
		R100%,G UP,B0%	16--35
		R DOWM,G100%,B0%	36--55
		R0%,G100%,B UP	56--75
		R0%,G DOWM,B100%	76--95
		R UP,G0%,B100%	96--115
		R100%,G0%,B DOWM	116--135
		R100%,G UP,B UP	136--155
		R DOWM,G DOWM, B 100%	156--175
		R100%G100%B100%W100%	176--195
		2800K	196--200
		3200K	201--205
		3500K	206--210
		4000K	211--215
4500K	216--220		

Model 7 - CH99

Channel	Display	Function	Value
CH-1	Pan	0-540°	0 --- 255
CH-2	Pan adjustment	16bit adjustment	0 --- 255
CH-3	Tilt	0-205°	0 --- 255
CH-4	Tilt adjustment	16bit adjustment	0 --- 255
CH-5	XY speed	Speed from fast to slow	0 --- 255
CH-6	Zoom	Angle from small to large	0 --- 255
CH-7	Lens rotation	0~60°	0-155
		Clockwise infinite rotation from fast to slow	156-205
		Counterclockwise rotation from slow to fast	206-255
CH-8	Dimmer	dark to bright linear dimming	0 --- 255
CH-9	Strobe	Turn on the light	0---3
		Synchro strobe speed From slow to fast (1HZ-25HZ)	4---203
		Random strobe	204--255

CH-18	Dimming Mode	Mode -2	50 --- 99
		Mode -3	100---149
CH-18	Dimming Mode	Mode -4	150---255
CH-19	Reset	NO	0-250
		Reset within 5s	251---255
CH-20	Zoom	Zoom	0-255
CH-21	Lens rotation	0~60°	0-155
		Clockwise infinite rotation	156-205
		Counterclockwise rotation	206-255
CH-22	R1 LED dimming	R1 LED dimming	0-255
CH-23	G1 LED dimming	G1 LED dimming	0-255
CH-24	B1 LED dimming	B1 LED dimming	0-255
CH-25	W1 LED dimming	W1 LED dimming	0-255
.....
CH-94	R19 LED dimming	R19 LED dimming	0-255
CH-95	G19LED dimming	G19 LED dimming	0-255
CH-96	B19LED dimming	B19 LED dimming	0-255
CH-97	W19LED dimming	W19 LED dimming	0-255

CH-9	Color temperature	5000K	221--225
		5500K	226--230
		6000K	231--235
		6500K	236--240
		7000K	241--245
		7500K	246--250
		8000K	251--255
CH-10	Macro color	No	0--9
		Macro color 1	10--19
CH-10	Macro color	Macro color 2	20--29
	(10 numbers 1 macro color)
		Macro color 24	240--249
		Macro color 25	250--255
CH-11	Strobe	Turn on the light	0---3
		Synchro strobe speed slow to fast (1HZ-25HZ)	4---203
		Random strobe	204--255
CH-12	Dimmer	dark to bright linear dimming	0 --- 255
CH-13	Dimmer adjust	Dimmer adjustment control	0 --- 255

CH-14	Pan	Pan control	0 --- 255
CH-15	Pan adjustment	Pan adjustment control	0 --- 255
CH-16	Tilt	Tilt control	0 --- 255
CH-17	Tilt adjustment	Tilt adjustment control	0 --- 255
CH-18	Dimming Mode	Mode -1	0 --- 49
		Mode -2	50 --- 99
		Mode -3	100---149
		Mode -4	150---255
CH-19	Reset	NO	0-250
		Reset within 5s	251---255
CH-20	Zoom	Zoom	0-255
CH-21	Lens rotation	0~60°	0-155
		Clockwise infinite rotation	156-205
		Counterclockwise rotation	206-255

Model 2 - CH23

Channel	Display	Function	Value
CH-1	Pan	0-540°	0 --- 255
CH-2	Pan adjustment	16bit adjustment	0 --- 255

		7500K	246--250
		8000K	251--255
CH-10	Macro color	No	0--9
		Macro color 1	10--19
		Macro color 2	20--29
	(10 numbers 1 macro color)
		Macro color 24	240--249
		Macro color 25	250--255
CH-11	Strobe	Turn on the light	0---3
		Synchro strobe speed slow to fast (1HZ-25HZ)	4---203
		Random strobe	204--255
CH-12	Dimmer	dark to bright linear dimming	0 --- 255
CH-13	Dimmer adjust	Dimmer adjustment control	0 --- 255
CH-14	Pan	Pan control	0 --- 255
CH-15	Pan adjustment	Pan adjustment control	0 --- 255
CH-16	Tilt	Tilt control	0 --- 255
CH-17	Tilt adjustment	Tilt adjustment control	0 --- 255
		Mode -1	0 --- 49

CH-9	Color temperature	R DOWM,G100%,B0%	36---55
		R0%,G100%,B UP	56---75
		R0%,G DOWM,B100%	76---95
		R UP,G0%,B100%	96---115
		R100%,G0%,B DOWM	116--135
		R100%,G UP,B UP	136---155
		R DOWM,G DOWM, B 100%	156---175
		R100%G100%B100%W100%	176---195
		2800K	196---200
		3200K	201---205
CH-9	Color temperature	3500K	206---210
		4000K	211---215
		4500K	216---220
		5000K	221---225
		5500K	226--230
		6000K	231--235
		6500K	236--240
		7000K	241--245

CH-3	Tilt	0-205°	0 --- 255
CH-4	Tilt adjustment	16bit adjustment	0 --- 255
CH-5	XY speed	Speed from fast to slow	0 --- 255
CH-6	Zoom	Angle from small to large	0 --- 255
CH-7	Lens rotation	0~60°	0-155
		Clockwise infinite rotation from fast to slow	156-205
		Counterclockwise rotation from slow to fast	206-255
CH-8	Dimmer	dark to bright linear dimming	0 --- 255
CH-9	Strobe	Turn on the light	0---3
CH-9	Strobe	Synchro strobe speed	4---203
		From slow to fast (1HZ-25HZ)	
		Random strobe	204--255
CH-10	R dimming	dark to bright linear dimming	0-255
CH-11	G dimming	dark to bright linear dimming	0-255
CH-12	B dimming	dark to bright linear dimming	0-255
CH-13	W dimming	dark to bright linear dimming	0-255
		No	0 ---15

CH-14	Color temperature	R100%,G UP,B0%	16---35
		R DOWM,G100%,B0%	36---55
		R0%,G100%,B UP	56---75
		R0%,G DOWM,B100%	76---95
		R UP,G0%,B100%	96---115
		R100%,G0%,B DOWM	116---135
		R100%,G UP,B UP	136---155
		R DOWM,G DOWM, B 100%	156---175
		R100%,G100%,B100%,W100%	176---195
		2800K	196---200
		3200K	201---205
		3500K	206---210
		4000K	211---215
		4500K	216---220
		5000K	221---225
		5500K	226---230

CH-38	LED1 B	LED1 B dimming	0-255
.....
CH-90	LED19 R	LED 19 R dimming	0-255
CH-91	LED19 G	LED19 G dimming	0-255
CH-92	LED19 B	LED 19 B dimming	0-255

Model 6 - CH97

Channel	Display	Function	Value
CH-1	Red	Red dimming	0 --- 255
CH-2	Red adjustment	Red adjustment	0 --- 255
CH-3	Green	Green dimming	0 --- 255
CH-4	Green adjustment	Green adjustment	0 --- 255
CH-5	Blue	Blue dimming	0 --- 255
CH-6	Blue adjustment	Blue dimming	0 --- 255
CH-7	White	White dimming	0 --- 255
CH-8	White adjustment	White adjustment	0 --- 255
		No	0 ---15
		R100%,G UP,B0%	16---35

CH-23	Pattern effect speed	NO	0--9
		Forward, from fast to slow (with 22CH)	10--132
CH-23	Pattern effect speed	Reverse, from slow to fast (with 22CH)	133--255
CH-24	Pattern effect fade	Pattern effect fade	0-255
CH-25	Pattern Back R	Pattern effect R	0-255
CH-26	Pattern Back G	Pattern effect G	0-255
CH-27	Pattern Back B	Pattern effect B	0-255
CH-28	Pattern Back W	Pattern effect W	0-255
CH-29	Pattern dimming	Pattern 0-100% dimming	0-255
CH-30	Back Dimming	Background 0-100% dimming	0-255
CH-31	Pattern change	Pattern change control	0-255
CH-32	Pattern movement	Pattern movement (with 22CH)	0-255
CH-33	Prospects strobe	Prospects strobe	0-255
CH-34	Background strobe	Background strobe	0-255
CH-35	Background pattern selection	Background selection	0-255
CH-36	LED1 R	LED1 R dimming	0-255
CH-37	LED1 G	LED1 G dimming	0-255

CH-14	Color temperature	6000K	231--235
		6500K	236--240
		7000K	241--245
		7500K	246--250
		8000K	251--255
CH-15	Macro color	No	0--9
		Macro color 1	10--19
		Macro color 2	20--29
	(10 numbers 1 macro color)
		Macro color 24	240--249
		Macro color 25	250--255
CH-16	Static pattern	No	0--9
		Monochrome pattern 1	10--12
		Monochrome pattern 2	13--15
	(3 numbers 1 pattern)
		Monochrome pattern 67	208--210
		Mixed color pattern 1	211--213
		Mixed color pattern 2	214--216
	(3 numbers 1 pattern)

CH-16	Static pattern	Mixed color pattern 14	250--252
		Mixed color pattern 15	253--255
CH-17	Dynamic pattern	NO	0--9
		Monochrome dynamic pattern 1	10--14
		Monochrome dynamic pattern 2	15--19
	(5 numbers 1 pattern)
		Monochrome pattern 30	155--159
		Mixed color dynamic pattern 1	160--164
		Mixed color dynamic pattern 2	165--169
	(5 numbers 1 pattern)
		Mixed color dynamic pattern 13	220--224
		Mixed color dynamic pattern 14	225--255
CH-18	Dynamic pattern speed	Forward, from fast to slow (with 17CH)	0--127
		Reverse, from slow to fast(with 17CH)	128--255
CH-19	Back color R	dark to bright linear dimming	0-255
CH-20	Back color G	dark to bright linear dimming	0-255
CH-21	Back color B	dark to bright linear dimming	0-255
CH-22	Back color W	dark to bright linear dimming	0-255

		Mode -4	150---255
CH-19	Reset	NO	0-250
		Reset within 5s	251---255
CH-20	Zoom	Zoom	0-255
CH-21	Lens rotation	0~60°	0-155
		Clockwise infinite rotation	156-205
		Counterclockwise rotation	206-255
CH-22	Pattern rotation	NO	0--9
		Monochrome dynamic pattern 1	10--14
		Monochrome dynamic pattern 2	15--19
	(5 numbers 1 pattern)
		Monochrome pattern 30	155--159
		Mixed color dynamic pattern 1	160--164
		Mixed color dynamic pattern 2	165--169
	(5 numbers 1 pattern)
		Mixed color dynamic pattern 13	220--224
		Mixed color dynamic pattern 14	225--255

CH-10	Macro color	No	0--9
		Macro color 1	10--19
		Macro color 2	20--29
CH-10	Macro color(10 numbers 1 macro color)
		Macro color 24	240--249
		Macro color 25	250--255
CH-11	Strobe	Turn on the light	0---3
		Synchro strobe speed slow to fast (1HZ-25HZ)	4---203
		Random strobe	204--255
CH-12	Dimmer	dark to bright linear dimming	0 --- 255
CH-13	Dimmer adjust	Dimmer adjustment control	0 --- 255
CH-14	Pan	Pan control	0 --- 255
CH-15	Pan adjustment	Pan adjustment control	0 --- 255
CH-16	Tilt	Tilt control	0 --- 255
CH-17	Tilt adjustment	Tilt adjustment control	0 --- 255
CH-18	Dimming Mode	Mode -1	0 --- 49
		Mode -2	50 --- 99
		Mode -3	100---149

CH-23	Reset	NO	0-250
		Reset within 5s	251-255

Model 3 - CH35

Channel	Display	Function	Value
CH-1	Red	Red dimming	0 --- 255
CH-2	Red adjustment	Red adjustment	0 --- 255
CH-3	Green	Green dimming	0 --- 255
CH-4	Green adjustment	Green adjustment	0 --- 255
CH-5	Blue	Blue dimming	0 --- 255
CH-6	Blue adjustment	Blue dimming	0 --- 255
CH-7	White	White dimming	0 --- 255
CH-8	White adjustment	White adjustment	0 --- 255
CH-9	Color temperature	No	0 ---15
		R100%,G UP,B0%	16---35
		R DOWM,G100%,B0%	36---55

CH-9	Color temperature	R0%,G100%,B UP	56---75
		R0%,G DOWM,B100%	76---95
		R UP,G0%,B100%	96---115
		R100%,G0%,B DOWM	116--135
		R100%,G UP,B UP	136---155
		R DOWM,G DOWM, B 100%	156---175
		R100%G100%B100%W100%	176---195
		2800K	196---200
		3200K	201---205
		3500K	206---210
		4000K	211---215
		4500K	216---220
		5000K	221---225
		5500K	226--230
		6000K	231--235
		6500K	236--240

CH-9	Color temperature	R UP,G0%,B100%	96---115
		R100%,G0%,B DOWM	116--135
		R100%,G UP,B UP	136---155
		R DOWM,G DOWM, B 100%	156---175
		R100%G100%B100%W100%	176---195
		2800K	196---200
		3200K	201---205
		3500K	206---210
		4000K	211---215
		4500K	216---220
		5000K	221---225
		5500K	226--230
		6000K	231--235
		6500K	236--240
		7000K	241--245
		7500K	246--250
8000K	251--255		

Model 5 - CH92

Channel	Display	Function	Value
CH-1	Red	Red dimming	0 --- 255
CH-2	Red adjustment	Red adjustment	0 --- 255
CH-3	Green	Green dimming	0 --- 255
CH-4	Green adjustment	Green adjustment	0 --- 255
CH-5	Blue	Blue dimming	0 --- 255
CH-6	Blue adjustment	Blue dimming	0 --- 255
CH-7	White	White dimming	0 --- 255
CH-8	White adjustment	White adjustment	0 --- 255
CH-9	Color temperature	No	0 ---15
		R100%,G UP,B0%	16---35
		R DOWM,G100%,B0%	36---55
		R0%,G100%,B UP	56---75
		R0%,G DOWM,B100%	76---95

CH-9	Color temperature	7000K	241--245
		7500K	246--250
		8000K	251--255
CH-10	Macro color	No	0--9
		Macro color 1	10--19
		Macro color 2	20--29
	(10 numbers 1 macro color)
		Macro color 24	240--249
		Macro color 25	250--255
CH-11	Strobe	Turn on the light	0---3
		Synchro strobe speed From slow to fast (1HZ-25HZ)	4---203
		Random strobe	204--255
CH-12	Dimmer	dark to bright linear dimming	0 --- 255
CH-13	Dimmer adjust	Dimmer adjustment control	0 --- 255
CH-14	Pan	Pan control	0 --- 255
CH-15	Pan adjustment	Pan adjustment control	0 --- 255
CH-16	Tilt	Tilt control	0 --- 255

CH-17	Tilt adjustment	Tilt adjustment control	0 --- 255
CH-18	Dimming Mode	Mode -1	0 --- 49
CH-18	Dimming Mode	Mode -2	50 --- 99
		Mode -3	100---149
		Mode -4	150---255
CH-19	Reset	NO	0-250
		Reset within 5s	251---255
CH-20	Zoom	Zoom	0-255
CH-21	Lens rotation	0~60°	0-155
		Clockwise infinite rotation	156-205
		Counterclockwise rotation	206-255
CH-22	Pattern rotation	NO	0--9
		Monochrome dynamic pattern 1	10--14
		Monochrome dynamic pattern 2	15--19
	(5 numbers 1 pattern)
		Monochrome pattern 30	155--159
		Mixed color dynamic pattern 1	160--164
		Mixed color dynamic pattern 2	165--169

CH-18	Dimming Mode	Mode -2	50 --- 99
		Mode -3	100---149
		Mode -4	150---255
CH-19	Reset	NO	0-250
		Reset within 5s	251---255
CH-20	Zoom	Zoom	0-255
CH-21	Lens rotation	0~60°	0-155
		Clockwise infinite rotation	156-205
		Counterclockwise rotation	206-255
CH-22	R1 LED dimming	R1 LED dimming	0-255
CH-23	G1 LED dimming	G1 LED dimming	0-255
CH-24	B1 LED dimming	B1 LED dimming	0-255
CH-25	R2 LED dimming	R2 LED dimming	0-255
CH-26	G2 LED dimming	G2 LED dimming	0-255
CH-27	B2 LED dimming	B2 LED dimming	0-255
.....
CH-76	R19 LED dimming	R19 LED dimming	0-255
CH-77	G19LED dimming	G19LED dimming	0-255
CH-78	B19LED dimming	B19LED dimming	0-255

		7500K	246--250
		8000K	251--255
CH-10	Macro color	No	0--9
		Macro color 1	10--19
		Macro color 2	20--29
	
		Macro color 24	240--249
		Macro color 25	250--255
CH-11	Strobe	Turn on the light	0---3
		Synchro strobe speed slow to fast (1HZ-25HZ)	4---203
		Random strobe	204--255
CH-12	Dimmer	dark to bright linear dimming	0 --- 255
CH-13	Dimmer adjust	Dimmer adjustment control	0 --- 255
CH-14	Pan	Pan control	0 --- 255
CH-15	Pan adjustment	Pan adjustment control	0 --- 255
CH-16	Tilt	Tilt control	0 --- 255
CH-17	Tilt adjustment	Tilt adjustment control	0 --- 255
		Mode -1	0 --- 49

	(5 numbers 1 pattern)
		Mixed color dynamic pattern 13	220--224
		Mixed color dynamic pattern 14	225--255
CH-23	Pattern effect speed	NO	0--9
		Forward, from fast to slow(with 22CH)	10--132
		Reverse, from slow to fast(with 22CH)	133--255
CH-24	Pattern effect fade	Pattern effect fade	0-255
CH-25	Pattern Back R	Pattern effect R	0-255
CH-26	Pattern Back G	Pattern effect G	0-255
CH-27	Pattern Back B	Pattern effect B	0-255
CH-28	Pattern Back W	Pattern effect W	0-255
CH-29	Pattern dimming	Pattern 0-100% dimming	0-255
CH-30	Background dimming	Background 0-100% dimming	0-255
CH-31	Pattern change	Pattern change control	0-255
CH-32	Pattern movement	Pattern movement(with 22CH)	0-255
CH-33	Prospects strobe	Prospects strobe	0-255

CH-34	Background strobe	Background strobe	0-255
CH-35	Background pattern selection	Background selection	0-255

Model 4 - CH78

Channel	Display	Function	Value
CH-1	Red	Red dimming	0 --- 255
CH-2	Red adjustment	Red adjustment	0 --- 255
CH-3	Green	Green dimming	0 --- 255
CH-4	Green adjustment	Green adjustment	0 --- 255
CH-5	Blue	Blue dimming	0 --- 255
CH-6	Blue adjustment	Blue dimming	0 --- 255
CH-7	White	White dimming	0 --- 255
CH-8	White adjustment	White adjustment	0 --- 255
CH-9	Color temperature	No	0 ---15
		R100%,G UP,B0%	16---35
		R DOWM,G100%,B0%	36---55

CH-9	Color temperature	R0%,G100%,B UP	56---75
		R0%,G DOWM,B100%	76---95
		R UP,G0%,B100%	96---115
		R100%,G0%,B DOWM	116--135
		R100%,G UP,B UP	136---155
		R DOWM,G DOWM, B 100%	156---175
		R100%G100%B100%W100%	176---195
		2800K	196---200
		3200K	201---205
		3500K	206---210
		4000K	211---215
		4500K	216---220
		5000K	221---225
5500K	226--230		
6000K	231--235		
6500K	236--240		
7000K	241--245		