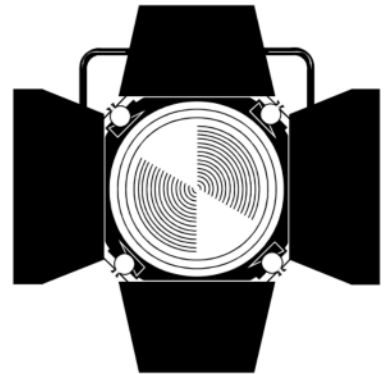


VIKING ***STAGE LIGHTING***



Fog machine DSK-1500V

Users Manual

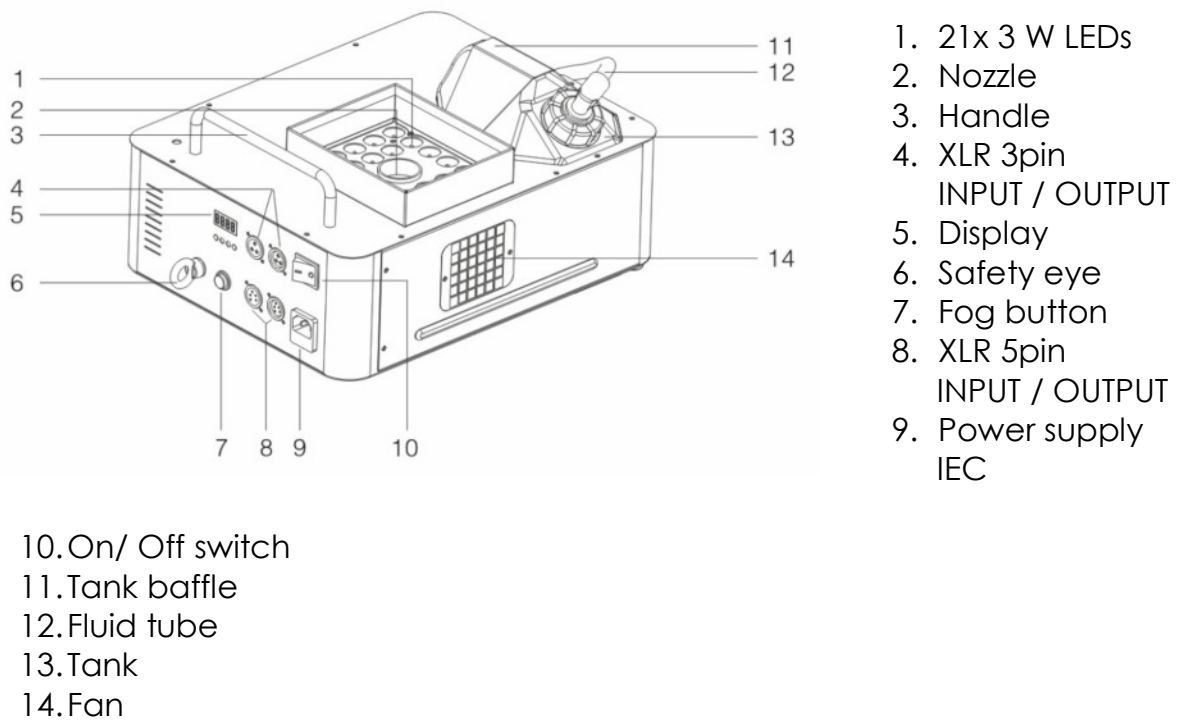
1. Introduction

Before usage please read this manual carefully.

Item delivered

- 1x Fog machine DSK-1500V
- 1x Powercon Power cord
- 1x Remote W5
- Manual (English)

Product description



2. Start-up

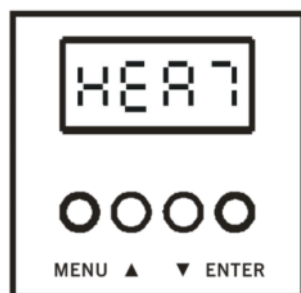
Attention!

Remove before start-up every packing material.

1. Fill the tank with fluid (Please use fog fluid CO2). Make sure that there is always enough fluid in the tank.
2. Connect the device to the power supply.
3. The device starts to heat up. This process needs 4 min, meanwhile the display shows „WARMING UP“.
4. The heating process is finished. The display shows „Addr“.

Operation

The operation can be made by the display, manual by using the fog button or with the remote.



MENU	For call-up the structure of menu to make individual settings.
UP	To select a point of menu or increase a value.
DOWN	To select a point of menu or decrease a value.
ENTER	Confirm the selection or setting.

Menu	Settings	Function
Addr	0 – 512	Setting the DMX address.
CH-1 – CH-4	Advising the colour settings for the single channels. Every button on the remote represents a channel: A = CH-1, B = CH-2, C = CH3 und D = CH4.	
	Co 1	Red
	Co 2	Green
	Co 3	Blue
	Co 4	Pink
	Co 5	Purple
	Co 6	Orange
	Co 7	Yellow
	Co 8	Sky blue
	Co 9	White
	Random	Colour
remo	On / Off	(De-)Activates the remote.
orL	On / Off	(De-)Activates the fluid sensor.

If the device is controlled by DMX the display shows the set DMX address.

Channel	Value from	Value to	Function
1	0	9	No function
	10	255	Fog output
2	0	9	No function
	10	255	Dimmer red 0 – 100%.
3	0	9	No function
	10	255	Dimmer green 0 - 100%
4	0	9	No function
	10	255	Dimmer blue 0 – 100%
5	0	9	No function
	10	255	Color mixing
6	0	9	No function
	10	255	Color change slow – fast
7	0	9	No function
	10	255	Strobe slow – fast
8	0	9	No function
	10	255	Dimmer 0 – 100%

Remote



1. Activate the remote.
2. Power off the device.
3. Power on the device again. The display shows a bar diagram. Press, while the bar diagram is shown in the display, any key on the remote. This process needs 12s.
4. The display blinks two times. The remote is connected successfully with the device.
5. With the buttons A, B, C and D the fog output and the corresponding colour are activated .

Overall it is possible to assign up to five remotes to a device.

Fluid sensor

1. Activate the fluid sensor
2. Once the fluid is empty the pump is deactivated. The display blinks.
3. Refill the fluid. To reset the fluid sensor there are three possibilities:
 - a. Press the fog button until the fluid tube is completely filled with fluid.
 - b. Press any key on the remote until the fluid tube is completely filled with fluid.
 - c. At first set the DMX value of channel 1 to 0 and then to 255.

Technical data

Voltage	AC 220 V – 240 V; 50/60 Hz
Power consumption max.	1500 W
Fuse	8 A/250 V
LM type	LED single colour (7x red, 7x green and 7x blue)
Power	441 W
Number x Power	21x 3 W
Heating Power	1100 W
Heating time	4 minutes
Tank volume	2,5 Litre
Output volume	906 m ³ /min
Fluid consumption @100%	159 ml/min
DMX 512	Yes
Number of DMX channels	8
Remote	Yes
Frequency of the remote	433 MHz
Power in	IEC
XLR in/out	3pin/5pin
Dimensions	475 x 314 x 205 mm
Weight	8,7 kg
