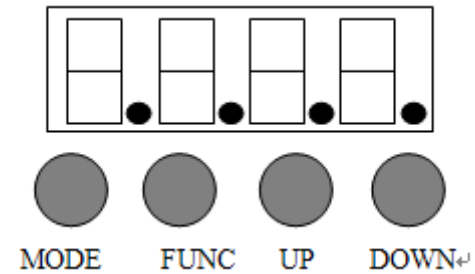


# Viking VK2512

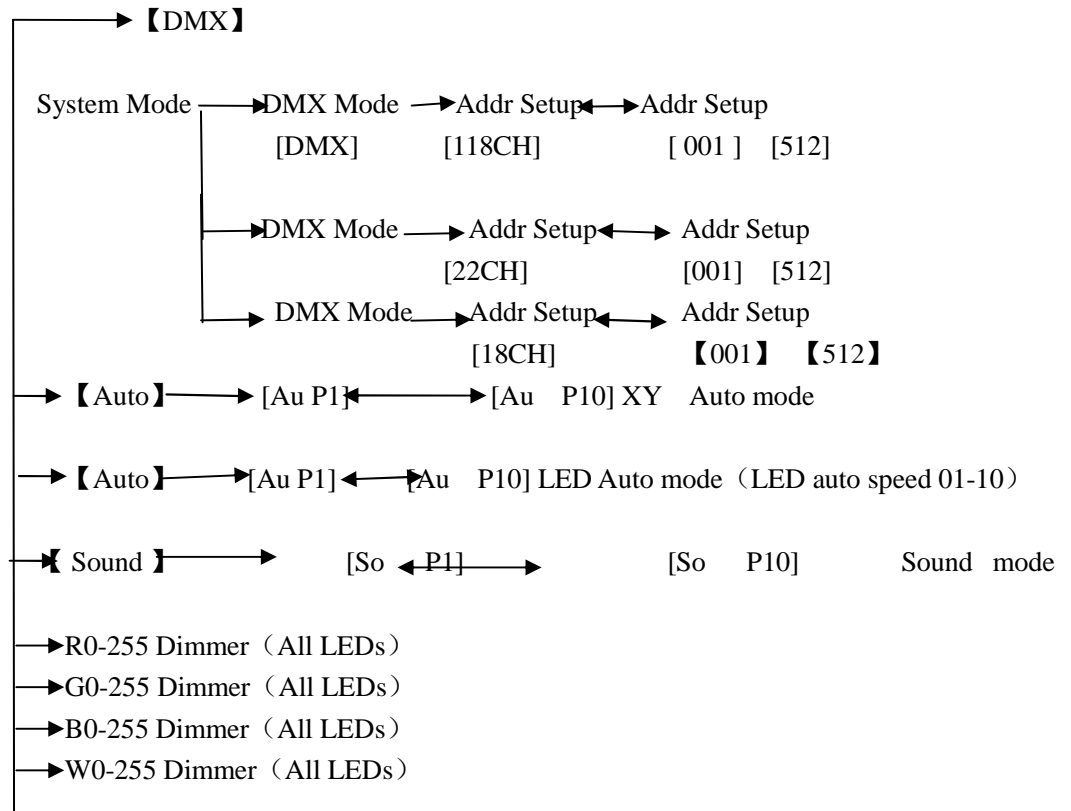
## 5x5 Matrix Moving Light User Manual



### DISPLAY: Menu Options



MENU



## 5 DMX CHANNEL MODES;

18ch	22ch	118ch	Function	Channel Value	Description
CH1	CH1	CH1	Pan Continuous Rotation	0-35 36-146 147-255	No function Continuous Rotating CW Continuous Rotating CCW
CH2	CH2	CH2	Pan	0-540 °	0-540°
CH3	CH3	CH3	Tilt Continuous Rotation	0-35 36-146 147-255	No function Continuous Rotating CW Continuous Rotating CCW
CH4	CH4	CH4	Tilt	0-270 °	0-270 °
CH5	CH5	CH5	Pan Fine	0-255	Pan Fine
CH6	CH6	CH6	Tilt Fine	0-255	Tilt Fine
CH7	CH7	CH7	Pan, Tilt Speed Adjustment	0-255	From fast to slow
CH8	CH8	CH8	Built-in Program(image)	0-47 48-63 64-79 80-95 96-111 112-127 128-143 144-159 160-175 176-191 192-207 208-223 224-239 240-245 246-255	No function Single control. LED Chase LED Run LED Jump LED Edacity LED Grouping Image 1 Image 2 Image 3 Image 4 Image 5 Sound Mode Sound mode with movement Total Program
CH9	CH9	CH9	Built-in Program(number)	0-8 9-17	No Function 0

				18-26 27-35 36-44 45-53 54-62 63-71 72-80 81-89 90-98 99-107 108-116 117-125 126-134 135-143 144-152 153-161 162-170 171-179 180-188 189-197 198-206 207-215 216-224 225-233 234-242 243-255	1 2 3 4 5 6 7 8 9 + - x ÷ / < > ? ! * Ó # Á Ç ( ) Total Program
CH10	CH10	CH10	Built-in Program(letter)	0-8 9-17 18-26 27-35 36-44 45-53 54-62 63-71 72-80 81-89	No Function A B C D E F G H I

				90-98	J
				99-107	K
				108-116	L
				117-125	M
				126-134	N
				135-143	O
				144-152	P
				153-161	Q
				162-170	R
				171-179	S
				180-188	T
				189-197	U
				198-206	V
				207-215	W
				216-224	X
				225-233	Y
				234-242	Z
				243-255	Total Program
CH11	CH11	CH11	Built-in Program Speed Adjustment	0-255	From slow to fast
CH12	CH12	CH12	LED Strobe	0-255	From slow to fast and random
CH13	CH13	CH13	RGBW Dimmer	0-20 21-255	All LED On (can control the Built-in program) From dark to bright
CH14	CH14	CH14	Global Red	0-255	From dark to bright
CH15	CH15	CH15	Global Green	0-255	From dark to bright
CH16	CH16	CH16	Global Blue	0-255	From dark to bright
CH17	CH17	CH17	Global White	0-255	From dark to bright
	CH18		LED LINE 1	0-7	LED 1 ,2 ,3 ,4 & 5 ON
	CH19		LED LINE 2	8-15	LED 1 ON
	CH20		LED LINE 3	16-23	LED 2 ON
	CH21		LED LINE 4	24-31	LED 1 & 2 ON
	CH22		LED LINE 5	32-39 40-47 48-55	LED 3 ON LED 1&3 ON LED 2&3 ON

				56-63	LED 1 , 2 & 3 ON	
				64-71	LED 4 ON	
				72-79	LED 1&4 ON	
				80-87	LED 2&4 ON	
				88-95	LED 1, 2 & 4 ON	
				96-103	LED 3&4 ON	
				104-111	LED 1 ,3 & 4 ON	
				112-119	LED 2 ,3 & 4 ON	
				120-127	LED 1 ,2, 3 & 4 ON	
				128-135	LED 5 ON	
				136-143	LED 1 & 5 ON	
				144-151	LED 2&5 ON	
				152-159	LED 1 ,2 & 5 ON	
				160-167	LED 3 & 5 ON	
				168-175	LED 1 ,3 & 5 ON	
				176-183	LED 2 ,3 & 5 ON	
				184-191	LED 1, 2 ,3 & 5 ON	
				192-199	LED 4&5 ON	
				200-207	LED 1 ,4 & 5 ON	
				208-215	LED 2 ,4 & 5 ON	
				216-223	LED 1, 2 ,4 & 5 ON	
				224-231	LED 3, 4 & 5 ON	
				232-239	LED 1, 3 ,4 & 5 ON	
				240-247	LED 2, 3 ,4 & 5 ON	
				248-255	No Function	
		CH18	Red	RGBW LED 1	0-255	From dark to bright
		CH19	Green		0-255	From dark to bright
		CH20	Blue	RGBW LED 2	0-255	From dark to bright
		CH21	White		0-255	From dark to bright
		CH22	Red		0-255	From dark to bright
		CH23	Green	From CH26 to CH117 groups of 4 represent the colour of each led in the head; ie CH26 to CH29 are LED 3 Red, green, blue & White channels	0-255	From dark to bright
		CH24	Blue		0-255	From dark to bright
		CH25	White		0-255	From dark to bright
CH18		CH18	Reset	253-255	Reset if > 2 secs	