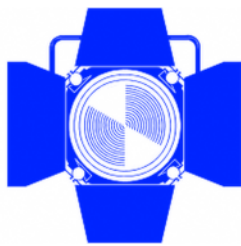


# VIKING

## STAGE LIGHTING



### VK20 Soli

6 in 1 20w RGBAW & UV LED Battery IP65 Wireless DMX Spot



#### DMX 6 Channel Mode

Channel	DMX Value	Function
1	0-255	Red Dimmer
2	0-255	Green Dimmer
3	0-255	Blue Dimmer
4	0-255	Cyan Dimmer
5	0-255	Lemon Yellow Dimmer
6	0-255	Amber Dimmer

#### DMX 10 Channel Mode

Channel	DMX Value	Function
1	0-255	Master Dimmer
2	0-4	<b>Strobe:</b> No function
	5-255	Strobe Slow to Fast
3	0-255	Red Dimmer
4	0-255	Green Dimmer
5	0-255	Blue Dimmer
6	0-255	Cyan Dimmer
7	0-255	Lemon Yellow Dimmer
8	0-255	Amber Dimmer
9	0-4	<b>Macros:</b> No function
	5-80	Colour Macro
	81-150	Colour Jump
	151-220	Colour Fade
	221-255	Sound Active
10	0-255	Speed: Slow to Fast

#### LCD Operation Menu:

DMX Address 001-507(6CH) 001-503(10CH)

- Mode
  - DMX (6CH/10CH)
  - Auto Prog Sp00-Sp99
    - Step Sp00-Sp99
    - Fade Sp00-Sp99
  - Sound Step Se00-S99
    - Fade Se00-S99
  - Static Dimmer 0-255
    - Strobe 0-255
    - Colour 1-36
      - Red 0-255
      - Green 0-255
      - Blue 0-255
      - Cyan 0-255
      - Lemon 0-255
      - Amber 0-255
  - Slave Slave Mode Menu
- Settings
  - W-Dmx 1CH-7CH
  - 2.4G master On/Off
  - WiFi Reload
  - Display On/Off
  - Display Rev On/Off
  - Limiter On/Off
  - Dmx Fail: Blackout
    - Sound
    - Auto
    - Hold
  - DimmerCurve: Linear
    - Exp
    - Log
    - S-Curve
- System Info
  - Firmware Ver1.0
  - Timeinfo xxH
  - Temperature xxC

## VK20 Soli 6 in 1 Battery & Wireless 20w Led Spot

- Power supply: AC110V-250V
- Frequency: 50-60Hz
- Power consumption: 20W
- Light source: 1pcs 20W high brightness 6 in 1 RGBAW & UV leds
- Lamp life: 6-10 ten thousand hrs
- LED angle: 12 degree
- Colour: 16.7 million kinds of colour change
- Control channels: 6/10 chs
- DMX Control via Swedish WDMX Protocol.
- Control mode: DMX512, master/slave, auto, sound active
- Automatic model(by function button) : colour change, colour strobe, colour dimmer, colour gradual change/colour jump change
- Operation menu: LCD display
- Packing size: 290\*290\*330mm
- Weight: 1.5kg

### Safety Precautions

- Although IP65 rated do not expose this unit to long periods of rain or moisture.
- Do not spill water or other liquids into or on to your unit.
- Be sure that the local power outlets match that of the required voltage for your unit.
- Do not attempt to operate this unit if the power cord has become frayed or broken. Do not attempt to remove or break off the ground prong from the electrical cord. This prong is used to reduce the risk of electrical shock and fire in case of an internal short.
- Do not remove the cover under any conditions. There are no user serviceable parts inside.
- Never plug this unit in to a dimmer pack.
- Always be sure to mount this unit in an area that will allow proper ventilation. Allow about 6" (15cm) between this device and a wall.
- Do not attempt to operate this unit has become damaged.
- This unit is intended for indoor use only; use of this product outdoors voids all warranties.
- During long periods of non-use, disconnect the mains power.
- Always mount this unit in safe and stable matter.
- Power-supply cords should be routed so that they are not likely to be walked on or pinched by items placed upon or against them, paying particular attention to the point they exit from unit.
- Cleaning -The fixture should be cleaned only as recommended by the manufacturer. See "Cleaning" for details.
- Heat -The appliance should be situated away from heat sources such as radiators, heat registers, stoves, or other appliances (including amplifiers) that produce heat.
- The fixture should be serviced by qualified service personnel when:
  - A. The power-supply cord or the plug has been damaged.
  - B. Objects have fallen, or liquid has been spilled into the appliance.
  - C. The appliance has been exposed to rain or water.
  - D. The appliance does not operate normally or exhibits a marked change in performance

## VK20 Soli 6 in 1 Battery & Wireless 20w Led Spot

### Infrared function

This unit can be used with the supplied infra red remote to set colour and brightness.

First it is necessary to set the light to 'STATIC' mode in the menu in order for it to recognise the remote handset.

### IRC-6 Operations

Be sure the IRC-6 remote is pointing directly at the product and there is nothing in between the remote and the product.



#### Automatic Mode

Automatic mode will enable you to run the automatic programs on the product.

To turn on Automatic mode:

1. Press **<AUTO>** on the IRC-6.
2. Press **<+>** or **<->** to choose between the four different auto programs.

To adjust the speed of the automatic program:

1. Press **<SPEED>** on the IRC-6.
2. Press **<%>**.
3. Press **<+>** or **<->** to either increase or decrease the speed of the program.

#### Sound-Active Mode

Sound-Active mode will enable the product to respond to the music.

To turn on Sound-Active mode:

- Press **<SOUND>** on the IRC-6.

To adjust sound sensitivity in Sound-Active mode:

1. Press **<SENSITIVITY>** on the IRC-6.
2. Press **<%>**.
3. Press **<+>** or **<->** to either increase or decrease sound sensitivity.

#### Manual Color Control

To choose a specific color with the IRC-6:

1. Press **<MANUAL>** on the IRC-6.
2. Press any number between **<0>** and **<9>** to choose your color.

To manually control the RGB percentage:

1. Press **<MANUAL>** on the IRC-6.
2. Press **<R>**, **<G>**, or **<B>** (red, green, or blue) to choose your color.

**Note:** The Freedom™ Par Tri-6 only contains red, green, and blue LEDs. The amber, white, and UV color options on the IRC-6 will only operate with fixtures capable of outputting these color lights.

3. Press **<+>** or **<->** to increase or decrease the percentage of each color.

#### Miscellaneous Operation

To adjust the strobe rate of the program:

1. Press **<STROBE>** on the IRC-6.
2. Press **<+>** or **<->** to increase or decrease the strobe rate.
3. Press **<STROBE>** again to turn off the strobe.

To choose a fade auto program:

- Press **<FADE>** repeatedly on the IRC-6 to choose between the two auto program fade options

To black out the lights:

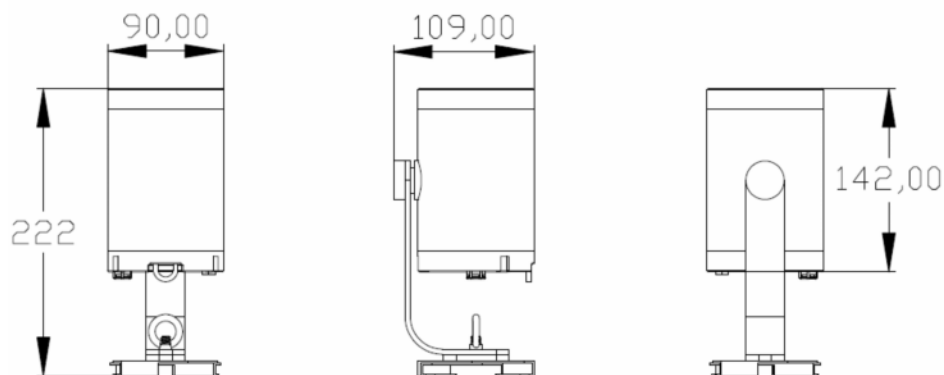
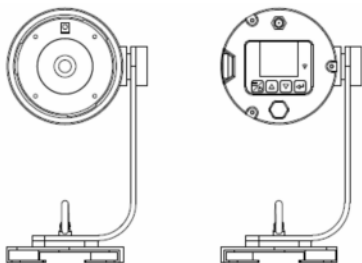
- Press **<BLACK OUT>** on the IRC-6. This will turn off all the lights until the button is pressed again.

**Note:** The IRC-6 will not respond to any inputs when the Black Out mode is activated. If the remote does not respond when a button is pressed, try pressing **<BLACK OUT>**. You may have inadvertently activated the Black Out mode.

## VK20 Soli 6 in 1 Battery & Wireless 20w Led Spot

### Battery Function and Charging

This unit is battery powered or powered from the mains using the supplied AC charging adaptor. It has a magnetic base and can be mounted via this or by removing the base stand via a M6 bolt & traditional hook clamp or via the folding base stand that can clip on suspended ceiling grids and similar.



There are four buttons on the rear of the light. These are used to control : (1) power/Menu, (2) Up, (3) Down, (4)Enter. Using the Up/Down buttons allows user to navigate the menus and Enter to select function or value required signal.

- When use the fixture with DMX, not wireless, please switch the signal button for “off”
- When use the wireless DMX, please switch the button for “on”
- When charging the light, please switch both the buttons to “off”. If the switch for power is “on”, the spot will be emitting light during the process of charging, & will consume some power during charging, if the switch for power is “off”, the spot will be blackout and not light emitting and will charge quicker.

### Tips for the battery and charge:

- The battery can last for 4-5 hours when all LEDs on after a full charge , and can last for more than 6-8 hours on auto running mode. Up to 20 Hours is possible with one colour LED on. Results will vary based on brightness of LEDs
- It is suggested to charge the battery for at least 4 hours, which will extend the life span of the battery.

## VK20 Soli 6 in 1 Battery & Wireless 20w Led Spot

- Fuse standard is 2A/250V 200mm
- The ambient temperature must always be under +35° C

### Set Up & Operating Instructions

#### Stand Alone options: (set under the menu **AUTO SOUND & STATIC**)

- Stand Alone Static Mode - using set colours and brightness from the menu options
- Sound activation – The unit will activated by the sound signals
- Auto Mode -The unit will automatically chase through the different patterns.
- Remote Mode -The unit can be set by the IRC-5 handheld remote control

#### Powering On The Light

To Power on the light press and hold 'Pwr/Menu' button until light turns on. To power off the light Press and hold the 'Pwr/Menu' button till the display shows “Shutdown” then press 'Enter' to confirm.

#### DMX Options:

- DMX control mode -This function will allow you to control the lighting with a standard DMX 512 controller and requires a WDMX Transmitter plugged into the lighting control desk which is 'paired' with the spotlight.

The Spotlight uses either 6 or 10 DMX channels to operate. Please see “DMX channel Mode

To use on WDMX DMX firstly check WDMX is turned on in the menu and is paired. To pair turn wdmx on then off then on again - the unit will then pair and display will show signal is paired.

The unit can automatically recognize the DMX signal once the DMX pairing is complete.

#### Rear Buttons:

- Left to Right the 4 buttons are

Pwr/Menu Up Down Enter

