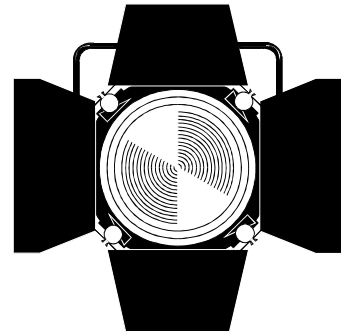
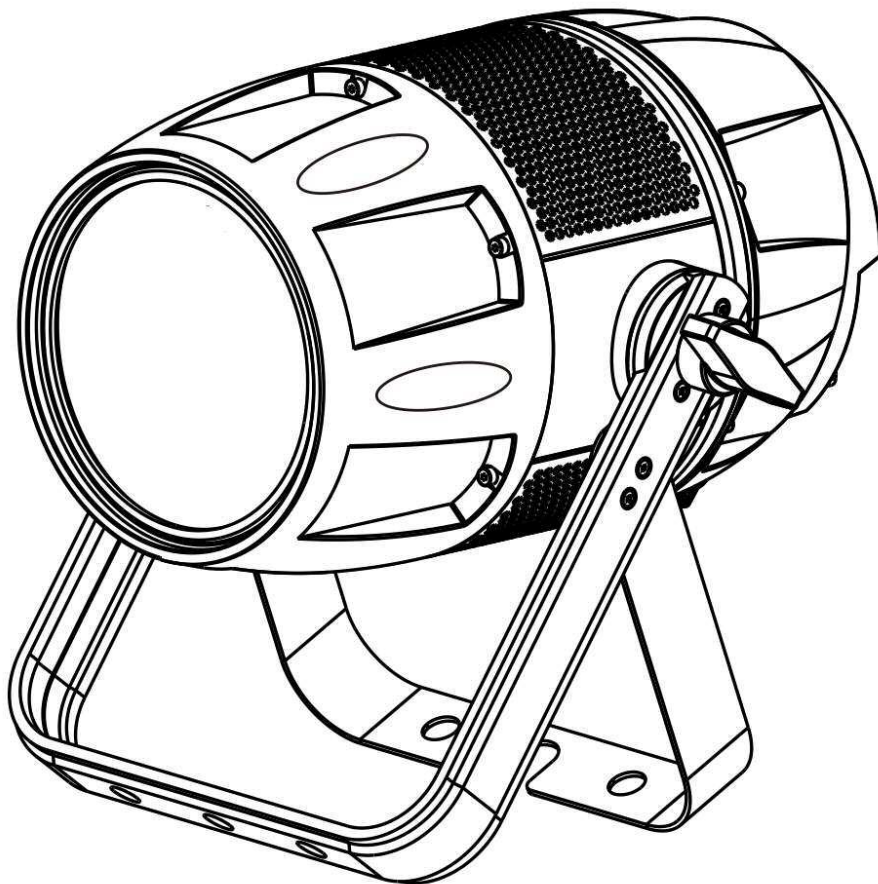


VIKING ***STAGE LIGHTING***



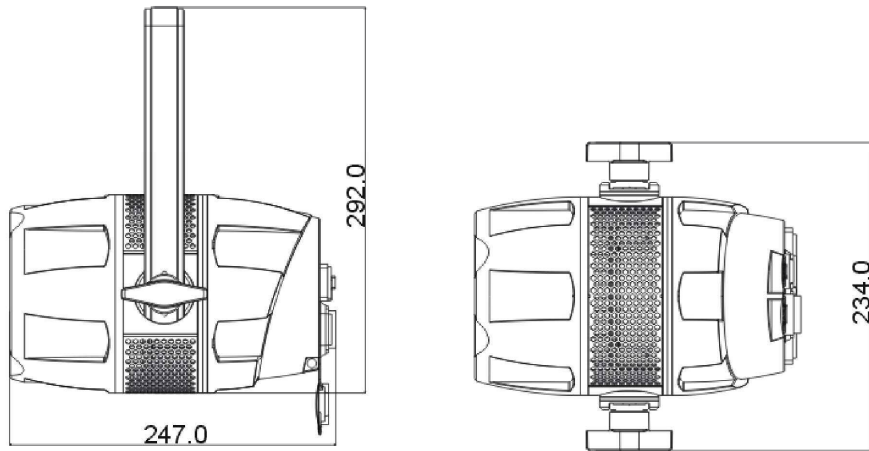
VK150 Parco UV 150w **User Manual**



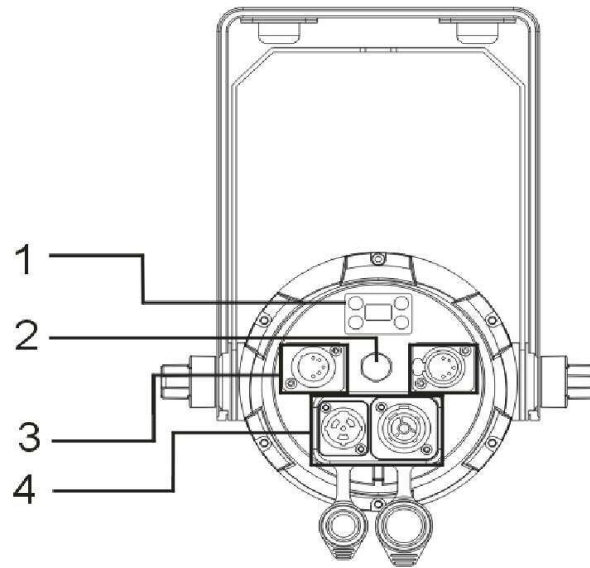
Specifications and Features:

- LEDs: 100W UV LEDs
- Power Consumption:150W
- Refresh Rate: 900Hz~10000Hz
- Dimmer Curve: 4 dimmer curve mode
- DMX Channels Mode: 1CH,2CH,3CH,5CH
- Control Protocol: DMX
- Support RDM
- Color: White and black
- Each LED can pixel control.
- Built-in dynamic auto run effect.
- Touch OLED display
- XLR Connectors: Seetronic IP65 3pin&5pin XLR Connector
- Powercon True1 in/out
- Barndoor optional
- Work mode: Auto, DMX, Master/Slaver
- With handle and safe
- Power input:110~240V,50/60Hz
- Size: 307x234x247mm
- Net Weight: 3.5KG

Product View



Product Description



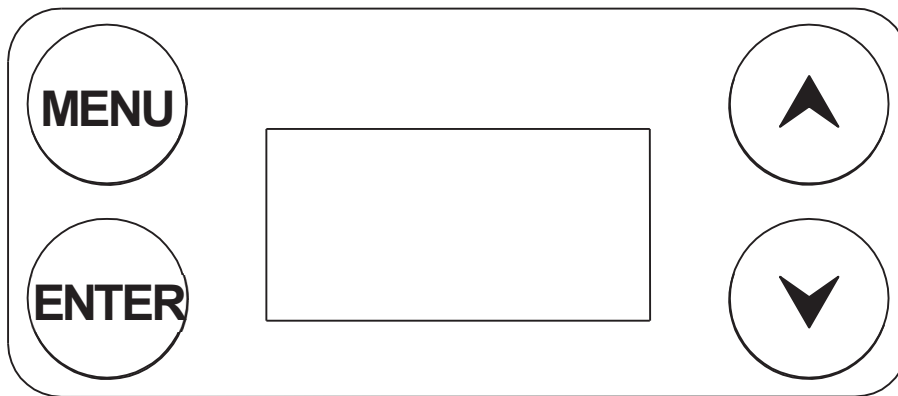
- 1: Menu
- 2: Pressure valve
- 3:DMX IN/ DMX OUT
- 4:POWER IN/POWER OUT

1 CH	2CH	3CH	5CH	VALUES	FUNCTION
1	1	1	1	000-255	MASTER DIMMER 0%-100%
	2	2	2	000-255	DIMMER FINE 0%-100%
					SHUTTER & STROBING
				000-031	LED Off
				032-063	LED On
				064-095	Strobing Slow - Fast
		3	3	096-127	LED On
				128-159	Pulse Strobing
				160-191	LED On
				192-223	Random Strobing Slow - Fast
				224-255	LED On
					DIMMER MODES
				000-020	Standard
				021-040	Stage
				041-060	TV
				061-080	Architectural
				081-100	Theatre
				101-120	Stage 2
					DIMMER DELAY TIME
				121	0.1Sec.
				122	0.2Sec.
				123	0.3Sec.
				124	0.4Sec.
				125	0.5Sec.
			4	126	0.6Sec.
				127	0.7Sec.
				128	0.8Sec.
				129	0.9Sec.
				130	1.0Sec.
				131	1.5Sec.
				132	2.0Sec.
				133	3.0Sec.
				134	4.0Sec.
				135	5.0Sec.
				136	6.0Sec.
				137	7.0Sec.
				138	8.0Sec.

			139	9.0Sec.
			140	10Sec.
			141-255	Default to Unit Setting
		5		REFRESH RATE
			000-015	Default to Unit Setting
			016-035	900HZ
			036-055	1000HZ
			056-075	1100HZ
			076-095	1200HZ
			096-115	1300HZ
			116-135	1400HZ
			136-155	1500HZ
			156-175	2500HZ
			176-195	4000HZ
			196-215	5000HZ
			216-235	6000HZ
			236-255	10000HZ

SYSTEM MENU

The fixture includes an easy to navigate system menu control panel display where all necessary settings and adjustments are made. (See image below) During normal operation, pressing the **MENU** button once will access the fixture's main menu. Once in the main menu, you can navigate through the different menus with the **UP**, **DOWN**, and **MENU** buttons. When you reach a field that requires adjusting, press the **ENTER** button to access that field and use the **UP** and **DOWN** buttons to adjust the field. Pressing the **ENTER** button once more to confirm your setting. You may exit the menu's at any time without making any adjustments by pressing the **MENU** button. If there are no changes/adjustments made within 10 seconds, the unit will revert back to the setting made under "**No DMX State**".



DMX Address	001-512	
DMX Mode	1CH	
	2CH	
	3CH	
	5CH	
Stand Alone	Dimmer	0~255
	Strobe	0~255
	Fader	0.5s~30s
Settings	Display Reverse	On
		Off
	Display Backlight	On
		Off
	DMX Fail	Hold
		Blackout
		ManualMode
	Dimmer Curve	Standard
		Stage
		TV
		Architectural
		Theatre
	Stage2	
	Dimmer Speed	0.1-0.9s ~ 1-10s
	AutoLock	On
		Off
	Fan Mode	Smart
Silent		
Max		
PWM Rate	900Hz	
	1000Hz	
	1100Hz	
	1200Hz	
	1300Hz	

Push UP and DOWN button together more than 5 seconds to unlock the display

		1400Hz	
		1500Hz	
		2500Hz	
		4000Hz	
		5000Hz	
		6000Hz	
		10000Hz	
	Service	Reset	Passcode = 50
		Calibration	
System Info	Firmwre	V1.0	
	Operation Hours	xxxHrs	
	Temperature	xxx°C	
	RDM	RDM ID	

VK150 Parco UV **System Menu**

SET ADDRESS - In this menu you can find and set your desired DMX address.

DMX CHANNEL MODE - In this menu you can find and set your desired DMX channel mode.

NO DMX STATUS - This menu setting is used as a precaution mode in case the DMX signal is lost or interrupted. The operating mode chosen in this menu is the running mode the fixture will go into when the DMX signal is lost. Listed below are the 3 modes.

- **Hold Last** - This setting will have the fixture stay in the last DMX setup.
- **Blackout** - This setting will have the fixture automatically go into standby mode.
- **Manual** - This setting will go into the current manual control set up. See **MANUAL CONTROL**.

DIM MODES - In this menu you are able to select your desired dimmer mode and adjust the dimming speed time.

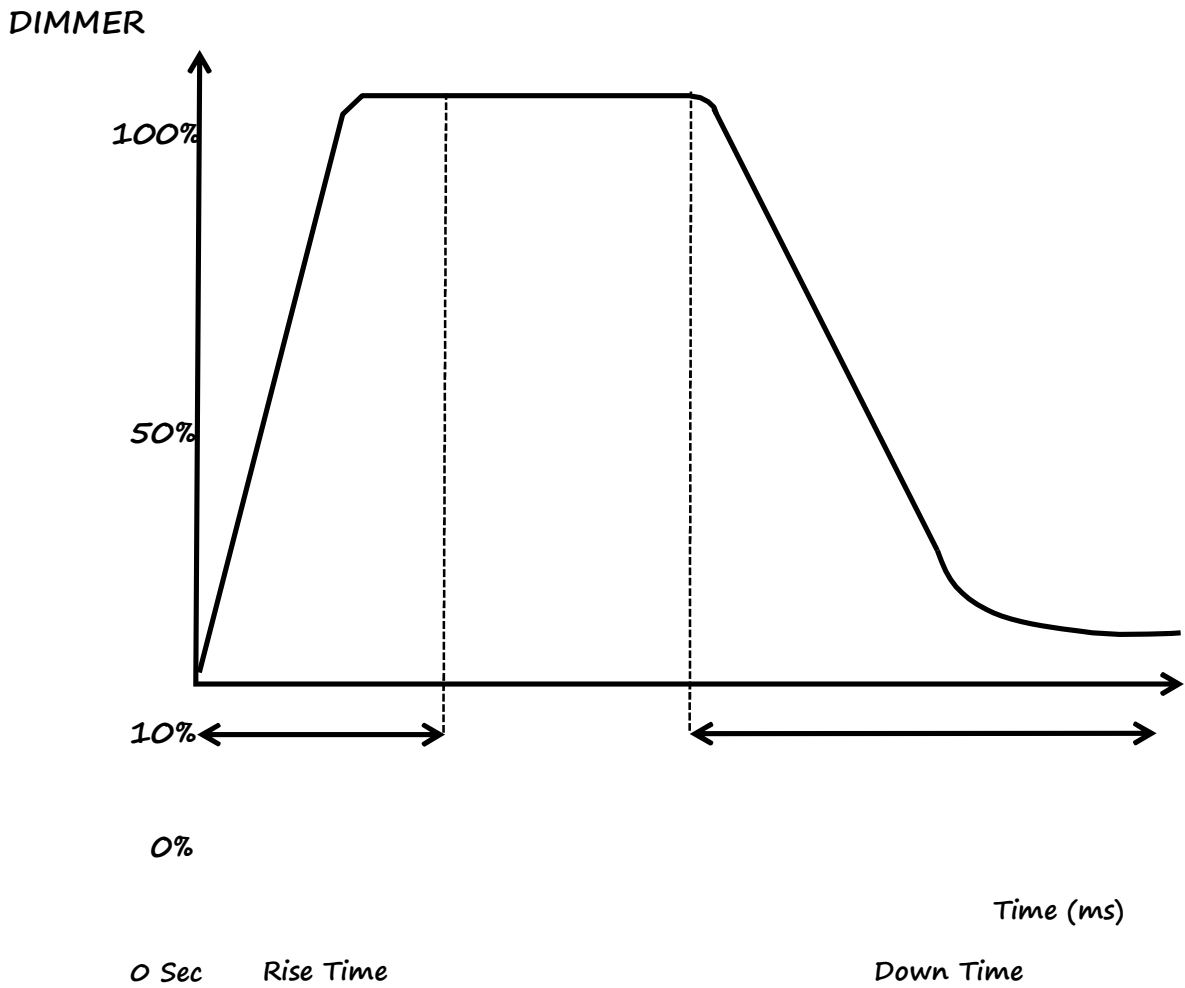
LED REFRESH RATE - In this menu you are able to select your desired LED refresh rate.

DISPLAY - In this menu you are able to activate/deactivate the display blackout and activate/deactivate the display lock.

SERVICE - In this menu you are able to access and adjust/change: the calibration (effect adjust) and restore the factory settings.

MANUAL CONTROL - This menu is for manual testing and manual control. The dimmer and strobe can be tested/adjusted. The fixture must be set to **“Manual”** under **“No DMX State”**.

SOFTWARE VERSION - The current software version is displayed.



Dimming Curve Ramp Effect	0 sec Fade Time		1 sec Fade Time	
	Rise Time (ms)	Down Time (ms)	Rise Time (ms)	Down Time (ms)
Standard (default)	0	0	0	0
Stage	780	1100	1540	1660
TV	1180	1520	1860	1940
Architectural	1380	1730	2040	2120
Theatre	1580	1940	2230	2280
Stage 2	0	1100	0	1660