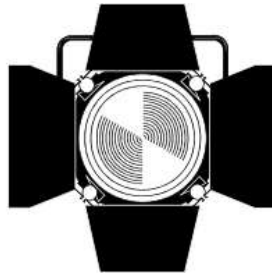


VIKING

STAGE LIGHTING



VK150 DIXI



Manual

TECHNICAL INFORMATION

- ◆ 150w White LED Moving Spot
- ◆ Beam Angle: 15°
- ◆ Motorised Focus (2.5m to 30m)
- ◆ Variable Strobe inc Random Fx
- ◆ 3 Facet Prism with variable speed & direction
- ◆ Control Modes: DMX/Auto-Run/Master-Slave/Sound/RDM
- ◆ Fast Pan/Tilt: 540°/ 270° resolution: 8 or 16 bit
- ◆ Display: 180° reversible LCD Display
- ◆ DMX Channels: 12 / 14 Channel Modes
- ◆ DMX In / Out socket: 3-pin XLR sockets
- ◆ Dimmer:0-100% smooth dimming
- ◆ Theatre Mode for near silent use
- ◆ Fast, flicker free operation ideal for TV / Theatre
- ◆ Move in Black function for gobo and colour change
- ◆ Colour Wheel with 8 Colours plus open
- ◆ Auto Split Colour Effects in Half Colour Mode
- ◆ Rotating Gobo Wheel with 6 Gobos
- ◆ Static Gobo Wheel with 10 Gobos
- ◆ 7 Built In Programs for either Stand Alone or DMX triggered
- ◆ 2 Foldable Truss Clamps on Base
- ◆ Constant Temp readout on LCD
- ◆ Power Consumption: 195w on Powercon In & Out
- ◆ Power Voltage: AC 100-260v auto sensing, 50/60Hz
- ◆ Dimensions: 362 x 177 x 266 mm
- ◆ Weight: 6.6 Kg

Please Note:

Foldable clamps - these are mounted on the base and are not designed to be removed - to use the light as floor standing or for putting into the flight case Please just fold them under the product.

Menu use. Please ensure once you highlight the option that you need to set, For example DMX address - the options box will highlight in yellow, press Enter to clear this so all boxes on menu bottom are in white. Failure to do This may prevent the unit from responding to commands or signals until the Yellow box is cancelled.

If you cannot get light out of the unit, please check the dimmer channel on Your lighting desk is NOT at 0 or in stand alone Manual use that the dimmer Is Not at 0.

To turn the display for easy reading when light is hung, just press the UP and Down buttons on the head and hold for 3 seconds and the display will turn.

DMX Channel Allocation List

14 Ch	12 Ch	Value	Function
1	1	0-255	Pan Movement
2		0-255	Pan Fine Movement
3	2	0-255	Tilt Movement
4		0-255	Tilt Fine Movement
5	3	Colour Wheel	
		0-13	Open White
		14-27	Red
		28-41	Blue
		42-55	Green
		56-69	Yellow
		70-83	Pink
		84-97	Deep Blue
		98-111	Deep Yellow
		112-127	Orange
		128-189	Forward Rainbow Fx fast-slow
		190-193	Colour Rotation Stop
		194-255	Backwards Rainbow Fx slow - fast

14 Ch	12 Ch	Value	Function
5	3	Colour Wheel - HALF Colour Mode selected	
		0-6	Open / White
		45851	White + Red
		14-20	Red
		21-27	Red + Blue
		28-34	Blue
		35-41	Blue + Green
		42-48	Green
		49-55	Green + Yellow
		56-62	Yellow
		63-69	Yellow + Pink
		70-76	Pink
		77-83	Pink + Deep Blue
		84-90	Deep Blue
		91-97	Deep Blue + Deep Yellow
		98-104	Deep Yellow
		105-111	Deep Yellow + Orange
		112-118	Orange
		119-127	Orange + White
		128-189	Forward Rainbow Fx fast to slow
190-193	Colour rotation Stop		
194-255	Backwards Rainbow FX slow to fast		

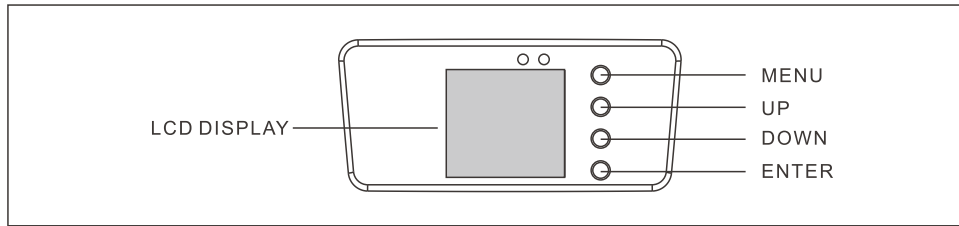
14 Ch	12 Ch	Value	Function
6	4	Gobo Wheel One (Rotating)	
		0-9	Open
		10-19	Gobo 1
		20-29	Gobo 2
		30-39	Gobo 3
		40-49	Gobo 4
		50-59	Gobo 5
		60-69	Gobo 6
		70-89	Gobo 1 shake - slow to fast
		90-109	Gobo 2 shake - slow to fast
		110-129	Gobo 3 shake - slow to fast
		130-149	Gobo 4 shake - slow to fast
		150-169	Gobo 5 shake - slow to fast
		170-189	Gobo 6 shake - slow to fast
190-255	Rotating wheel rotates slow to fast		
7	5	Gobo Wheel One (Rotating) Rotation Speed	
		0-3	No Function
		4-127	Forward gobo rotation fast to slow
		128-131	Gobo Rotation Stop
		132-255	Backwards gobo rotation fast to slow

14 Ch	12 Ch	Value	Function
8	6	Gobo Wheel Two (Static)	
		0-9	Open
		10-19	Gobo 1
		20-29	Gobo 2
		30-39	Gobo 3
		40-49	Gobo 4
		50-59	Gobo 5
		60-69	Gobo 6
		70-79	Gobo 7
		80-89	Gobo 8
		90-99	Gobo 9
		100-109	Gobo 10
		110-119	Gobo 1 shake slow to fast
		120-129	Gobo 2 shake slow to fast
		130-139	Gobo 3 shake slow to fast
		140-149	Gobo 4 shake slow to fast
		150-159	Gobo 5 shake slow to fast
		160-169	Gobo 6 shake slow to fast
		170-179	Gobo 7 shake slow to fast
		180-189	Gobo 8 shake slow to fast
		190-199	Gobo 9 shake slow to fast
		200-209	Gobo 10 shake - slow to fast
210-255	Gobo wheel 2 continuous rotation S-F		
9	7	Shutter	
		0-31	Shutter Open
		32-63	Closed
		64-95	Strobe - slow to fast
		96-127	Open
		128-159	Pulse Fx sequence slow to fast
		160-191	Open
		192-223	Random strobe slow to fast
224-255	Shutter Open		

14 Ch	12 Ch	Value	Function
10	8	0-255	Dimmer 0 to 100%
11	9	0-255	FOCUS from near to far
12	10	Prism & Rotation	
		0-5	Prism Out (Off)
		6-127	Prism In (On)
		128-189	Prism Rotates forwards fast-slow
		190-193	Prism Rotation Stop
		194-255	Prism Rotates backwards slow-fast
13	11	Pan/Tilt Speed	
		0-225	Max to Minimum Speed
		226-235	Blackout while movement
		236-245	Blackout if any wheel changes
		246-255	No Function

14 Ch	12 Ch	Value	Function
14	12	Special Functions & Programs	
		0-19	No Function
		20-29	No Function
		30-39	No Function
		40-79	No Function
		80-84	All Motor Reset
		85-87	Pan / Tilt Motors Reset
		88-90	Colours Motor Reset
		91-93	Gobo Motors Reset
		94-96	No Function
		97-99	Other Motors Reset
		100-119	Internal Stand Alone Program 1
		120-139	Internal Stand Alone Program 2
		140-159	Internal Stand Alone Program 3
		160-179	Internal Stand Alone Program 4
		180-199	Internal Stand Alone Program 5
		200-219	Internal Stand Alone Program 6
		220-239	Internal Stand Alone Program 7
		240-255	Internal Sound Program

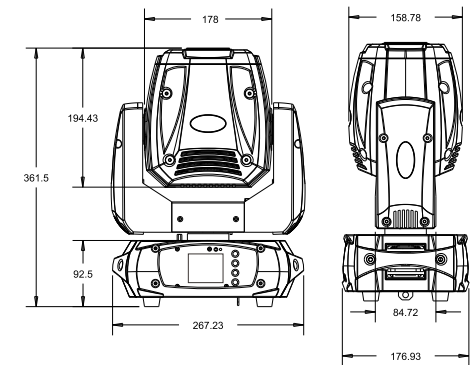
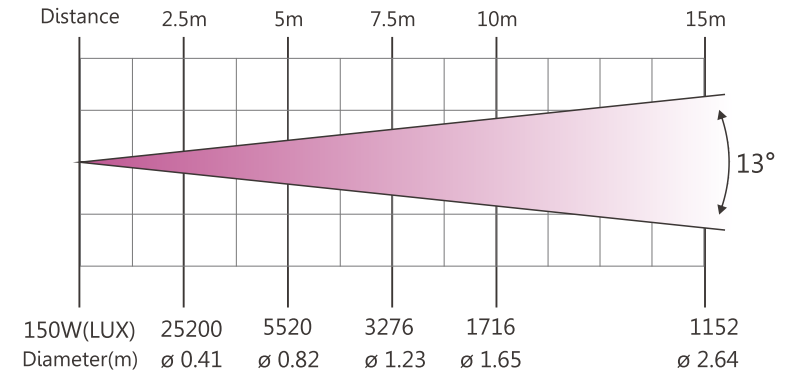
8.MENU OPERATIONS



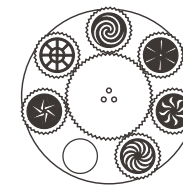
MENU		Description	
DMX (FunctionMode)	Dmx Address	A001~AXXX	
	ChannelMode	14 CH	
		12 CH	
	Auto Run	Program1~9	Master/Alone
MusicRun	Program1~9	Master/Alone	
SET (Fixture Set)	ResetDefault	Yes/No	
	SignalSet	Wire	
	ReversePan	(On/Off)	
	ReverseTilt	(On/Off)	
	SelectPan	630°/540°/360°	
	SelectTilt	270°/180°/90°	
	Mic sensitivity	0~99%	
	OFF Signal Mode	(On/Off)	
	Half Color Wheel	(On/Off)	
	Theater mode	(On/Off)	
Menu (Manual)	Reset	Total Reset Scan Reset Color Reset Gobo Reset Others Reset	Reset All Reset Pan/Tilt Reset Color Reset Gobo Reset Others
	Channel	PAN=XXX	Manual Channel Control
ADV (Advanced) (AccessCode088)	Calibration	PAN=XXX	CalibrationSetting

Special button instruction: Press "Up" and "Down" for 3 seconds, display will turn upside down

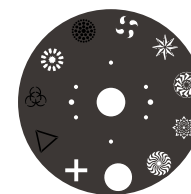
4.PHOTOMETRICS DIAGRAM



Rotating Gobo Wheel



Static Gobo Wheel



Color Wheel

