

TABLE OF CONTENTS

1 PRODUCT SPECIFICATIONS

1.1 PRODUCT SPECIFICATIONS

PART 1 PRODUCT SPECIFICATIONS.....1.

1.1--PRODUCT SPECIFICATIONS..... 1.

1.2--DIMENSIONS..... 2.

1.3--PRODUCT FEATURES..... 2.

1.4--SAFETY WARNING..... 3.

PART 2 INSTALLATION.....4.

2.1--MOUNTING..... 4.

2.2--SETTING UP..... 5.

2.3--FUSE REPLACEMENT..... 5.

2.3--GOBO REPLACEMENT..... 6.

PART 3 DISPLAY PANEL OPERATION.....6.

3.1--BASIC..... 6.

3.2--MENU..... 7.

3.3--INTRO..... 8.

3.4--INVERT..... 8.

3.5--RANGE..... 9.

3.6--SPECIAL..... 9.

3.7--EDIT..... 9.

3.8--DEFAULT..... 10.

PART 4 USING DMX512 CONTROLLER.....11.

4.1--BASIC ADDRESSING..... 11.

4.2--CHANNEL ASSIGNMENT..... 11.

PART 5 APPENDIX.....14.

6.1--MAINTENANCE..... 14.

- Electrical**
- ◆ Voltage: AC100-240V, 50/60Hz
 - ◆ Rated Power: 150W
- LED**
- ◆ LED: 1PC(60W white)
 - ◆ Cooling: Forced air convection

- Optical System**
- ◆ Focus: Electronic linear focus
 - ◆ Focus: Electronic focus
 - ◆ Dimmer: 0-100%
 - ◆ Strobe: 0-20Hz
 - ◆ Rotating 3-facet Prism

- Operation**
- ◆ Control mode: DMX512/Master-Slave/Auto/Custom/ Sound
 - ◆ LCD display
 - ◆ DMX512 Chs: 8CHS/ 11CHS

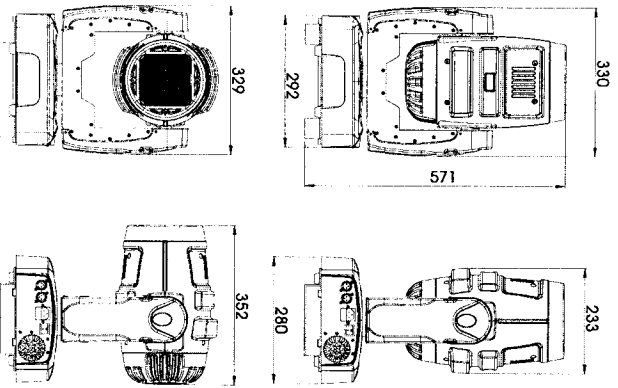
- Pan/Tilt**
- ◆ Pan 540° Tilt 270°
 - ◆ Pan/Tilt speed
 - ◆ User-selectable Pan/Tilt ranges
 - ◆ Reverse Pan/Tilt movement

- Rotating Gobo**
- ◆ 7 Gobo (interchangeable)
 - ◆ Gobo-flow effect
 - ◆ Gobo shake
 - ◆ Bi-directional rotation

- Color**
- ◆ 8 dichroic - filters + white
 - ◆ Rainbow - flow effect

- Other features**
- ◆ Custom program (255 steps)
 - ◆ Size: 347x321x545mm
 - ◆ Weight: 13kg

1.2 DIMENSIONS

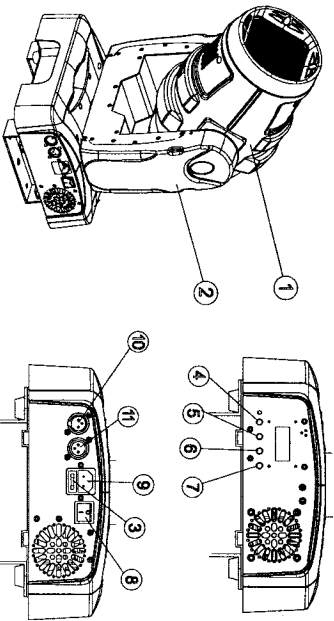


1.4 SAFETY WARNING

IMPORTANT:

- This product must be installed by a qualified professional.
- Always operate the equipment as described in the user manual.
- A minimum distance of 0.5m must be maintained between the equipment and combustible surface.
- The product must always be placed in a well ventilated area.
- Always make sure that the equipment is installed securely.
- DO NOT stand close to the equipment and stare directly into the LED light source.
- Always disconnect the power supply before attempting and maintenance.
- Always make sure that the supporting structure is solid and can support the combined weight of the products.
- The earth wire must always be connected to the ground.
- Do not touch the power cables if your hands are wet.

1.3 PRODUCT FEATURES



No	ITEM	No	ITEM	No	ITEM
1	Head	5	Enter	9	Power Input
2	Side arm	6	Down	10	DMX 3-PIN signal Input
3	Fuse holder	7	Up	11	DMX 3-PIN signal output
4	Menu	8	Switch		

2.

- This product left the place of manufacture in perfect condition. In order to maintain this condition and for safe operation, the user must always follow the instructions and safety warnings described in this user manual.
- Avoid shaking or strong impacts to any part of the equipment.
- Make sure that all parts of the equipment are kept clean and free of dust.
- Always make sure that the power connections are connected correct and secure.
- If there is any malfunction of the equipment, contact your distributor immediately.
- It is important that the power cable is frequently inspected to ensure that there is no damage in any position. If the power cable is damaged in any way, it should be replaced by a qualified electrical technician.
- When transferring the product, it is advisable to use the original packaging in which the product left the factory.
- Shields, lenses or ultraviolet screens shall be changed if they have become damaged to such an extent that their effectiveness is impaired.
- The lamp (LED) shall be changed if it has become damaged or thermally deformed.

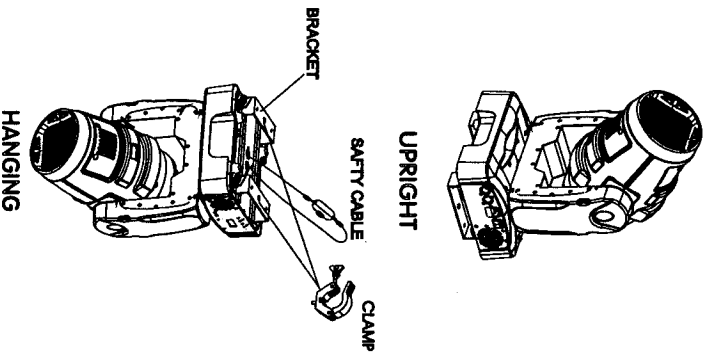
3.

2 INSTALLATION

2.1 MOUNTING:

● The LED fixture can be operated in any position at any angle. When mounted on a flat surface, the surface must be strong enough to support 10 times the weight of the fixture and stable so that there will be no damage caused to the fixture or surrounding people or objects because of movements of the fixture on the surface.

● When the unit is mounted in a hanging position, the fixture is attached using the mounting brackets and a standard truss clamp or other clamping device. The mounting brackets supplied are mounted using quick-release locks allowing simple mounting or removal.



IMPORTANT SAFETY NOTE!!

Always use a safety cable when installing this unit!!
Be sure that the safety cable is connected to a solid load-bearing structure.

4.

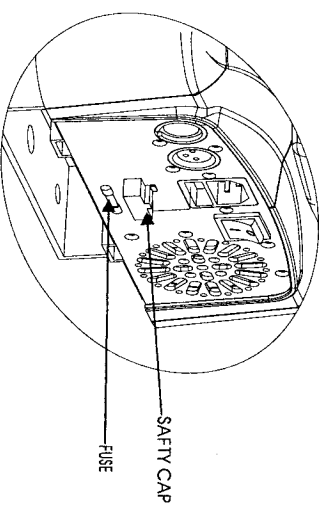
2.2 SETTING UP (STAND ALONE)

The LED fixture can be used as a stand alone unit. The stand alone functions AUTO 1, AUTO 2, SOUND 1, SOUND2 and CUSTOM can be activated without the need to connect to any controller or connecting to any other equipment.

Simply, access the <operation> menu from the DISPLAY and select the target program to activate.

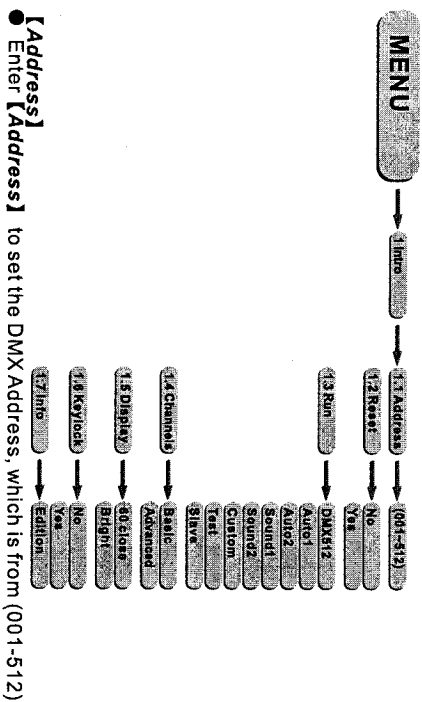
2.3 FUSE REPLACEMENT

- Remove the safety cap by a screwdriver.
- Fetch the old fuse from safety cap.
- Install a new fuse.
- Install the safety cap.



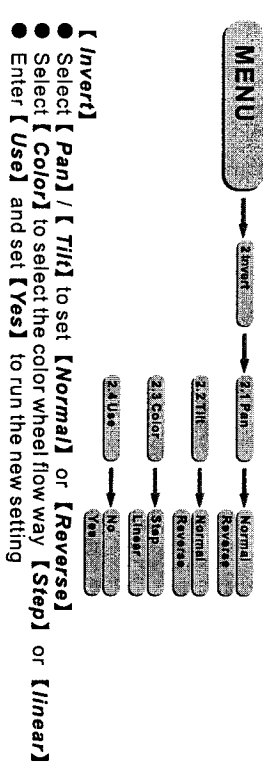
5.

3.3 INTRO



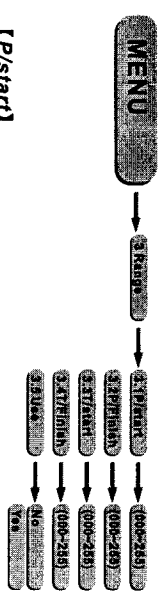
- **[Address]** Enter **[Address]** to set the DMX Address, which is from (001-512)
 - **[Reset]**
 - In order to rest custom modest to default, select **[Reset]**
 - **[Run]**
 - Enter **[Run]** to select the operation mode: **[DMAX512]**; **[Auto1]**; **[Auto2]**; **[Sound 1]**; **[Sound 2]**; **[Custom]**; **[Test]**; **[Slave]**
 - **[Channels]**
 - Enter **[Channels]** to select the DMX channel modes: **[Basic]**; **[Advanced]**
 - **[Display]**
 - Enter **[Display]** to select the lighting time of the LCD display panel.
 - **[Keylock]**
 - Enter the **[Keylock]** mode to select whether the access password is on or off.
 - When the fixture is set as PASS **[ON]**, after 30 seconds or turn on the fixture next time, the fixture will need an access password to enter the display menu control.
- Note: The factory access password is **[UP]** + **[DOWN]** + **[UP]** + **[DOWN]**, then press **[ENTER]** to confirm the access.

3.4 Invert



- **[Info]**
 - Enter **[Info]** to see the version of the software.
- **[Invert]**
 - Select **[Pan]** / **[Tilt]** to set **[Normal]** or **[Reverse]**
 - Select **[Color]** to select the color wheel flow way **[Step]** or **[Linear]**
 - Enter **[Use]** and set **[Yes]** to run the new setting

3.5 RANGE



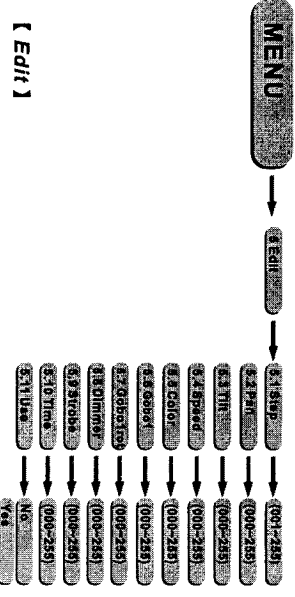
- **[P/start]**
 - Set pan start value **[000-255]**
- **[P/finish]**
 - Set pan finish value **[000-255]**
- **[T/start]**
 - Set Tilt start value **[000-255]**
- **[T/finish]**
 - Set Tilt finish value **[000-255]**
- **[Use]**
 - Enter **[Use]** and select **[Yes]** to open the operation of X/Y angle

3.6 SPECIAL



- **[Black]**
 - Enter **[Black]** to choose **[No]** without delay or **[Yes]** 3seconds delay
- **[Reset]**
 - Enter **[Reset]** to choose **[DMX]** DMX control reset or **[System]** DMX cannot control reset

3.7 EDIT



- **[Edit]**
 - Enter the **[Edit]** mode to edit the custom programs by adjusting the value of **[Step]**, **[Pan]**, **[Tilt]**, **[Speed]**, **[Color]**, **[Gobo 1]**, **[Gobo 1]**, **[Dimmer]**, **[Strobe]**, **[Time]**.

- Enter **[Use]** and select **[Yes]** to run the steps user need.

Note: if user want to circulate the created steps, please set the last step's **[Time]** as 0

For example, there are 3 steps, the setting should be like belowed:

- Step 1 **[Time]** = 4 **[Use]** = Yes
- Step 2 **[Time]** = 5 **[Use]** = Yes
- Step 3 **[Time]** = 0 **[Use]** = Yes

3.8 DEFAULT



[Default]

- This functions will reset all setting to the original factory setting

4 USING A DMX512 CONTROLLER

4.1 BASIC ADDRESSING

- Connect all of the units in series using standard DMX512 signal cable .
- Set the DMX512 address in the **[DMX]** menu.
- It is possible to have the same DMX address or independent addresses for each fixture.


4.2 CHANNEL ASSIGNMENT


- **Note:** This product have two DMX512 channel configuration: **[ADVANCED]** and **[BASIC]** .

ADVANCED

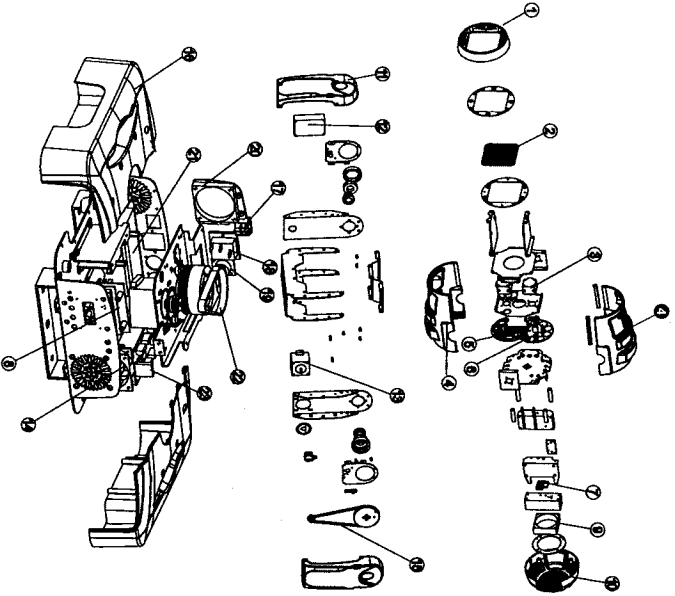
CHANNEL	VALUE	FUNCTION
1	0 ↔ 255 0 ↔ 540°	PAN PAN
2	0 ↔ 255	PAN FINE Fine control of pan movement
3	0 ↔ 255	TILT 0 ~ 270°
4	0 ↔ 255	TILT FINE Fine control of tilt movement
5	0 ↔ 255	PAN/TILT SPEED From fast to slow
6	0 ↔ 15 16 ↔ 30 31 ↔ 45 46 ↔ 60 61 ↔ 75 76 ↔ 90 91 ↔ 105 106 ↔ 120 121 ↔ 255 138 ↔ 255	COLOR WHEEL NO Red Yellow Magenta Green Orange Blue Light Green Light Blue Rainbow or linear effect
7	0 ↔ 10 11 ↔ 20 21 ↔ 30 31 ↔ 40 41 ↔ 50 51 ↔ 60 61 ↔ 70 71 ↔ 80 81 ↔ 95 96 ↔ 110 111 ↔ 125 126 ↔ 140 141 ↔ 155 156 ↔ 170 171 ↔ 185 186 ↔ 255	FIXED GOBO WHEEL NO GOBO GOBO 1 GOBO 2 GOBO 3 GOBO 4 GOBO 5 GOBO 6 GOBO 7 Shaking gobo 7 Shaking gobo 6 Shaking gobo 5 Shaking gobo 4 Shaking gobo 3 Shaking gobo 2 Shaking gobo 1 Flow effect

BASIC

CHANNEL	VALUE	FUNCTION
8	0 ↔ 60	GOBO WHEEL 1 ROTATION
	61 ↔ 150	360° indexing Clockwise rotate from slow to fast
	151 ↔ 165	No function
8	166 ↔ 255	Anti-clockwise rotate from slow to fast
		DIMMER
9	0 ↔ 255	Dark  Bright
		STROBE
10	0 ↔ 31	Close
	32 ↔ 83	Open
	84 ↔ 95	Stroke: Slow > Fast
	96 ↔ 127	Open
	128 ↔ 159	Ruise strobe effect: Slow > Fast
	160 ↔ 191	Open
	192 ↔ 223	Random strobe effect: Slow > Fast
	224 ↔ 255	Open
		CONTROL
		No function Pan/tilt black activated (activated after 3 secs) Pan/tilt black deactivated (activated after 3 secs) No function Auto1 Auto2 Fast Custom Sound 1 Sound 2 Reset No function

CHANNEL	VALUE	FUNCTION
1	0 ↔ 255	PAN 0-540°
		TILT 0-270°
2	0 ↔ 15	COLOR WHEEL
	16 ↔ 30	NO
	31 ↔ 45	Red
	46 ↔ 60	Yellow
	61 ↔ 75	Magenta
	76 ↔ 90	Green
	91 ↔ 105	Orange
	106 ↔ 120	Blue
	121 ↔ 235	Light Green
	136 ↔ 255	Light Blue Rainbow or linear effect
3	0 ↔ 10	FIXED GOBO WHEEL
	11 ↔ 20	NO GOBO
	21 ↔ 30	GOBO 1
	31 ↔ 40	GOBO 2
	41 ↔ 50	GOBO 3
	51 ↔ 60	GOBO 4
	61 ↔ 70	GOBO 5
	71 ↔ 80	GOBO 6
	81 ↔ 95	GOBO 7
	96 ↔ 110	Shaking gobo 7
111 ↔ 125	Shaking gobo 8	
126 ↔ 140	Shaking gobo 9	
141 ↔ 155	Shaking gobo 4	
156 ↔ 170	Shaking gobo 3	
171 ↔ 185	Shaking gobo 2	
186 ↔ 255	Shaking gobo 1 Flow effect	
4	0 ↔ 60	GOBO WHEEL 1 ROTATION
	61 ↔ 150	360° indexing Clockwise rotate from slow to fast
	151 ↔ 165	No function
5	166 ↔ 255	Anti-clockwise rotate from slow to fast
		DIMMER
6	0 ↔ 255	Dark  Bright
		STROBE
7	0 ↔ 31	Close
	32 ↔ 83	Open
	84 ↔ 95	Stroke: Slow > Fast
	96 ↔ 127	Open
	128 ↔ 159	Ruise strobe effect: Slow > Fast
	160 ↔ 191	Open
	192 ↔ 223	Random strobe effect: Slow > Fast
	224 ↔ 255	Open
		CONTROL
		No function Pan/tilt black activated (activated after 3 secs) Pan/tilt black deactivated (activated after 3 secs) No function Auto1 Auto2 Fast Custom Sound 1 Sound 2 Reset No function
8	0 ↔ 19	CONTROL
	20 ↔ 39	No function
	40 ↔ 59	Pan/tilt black activated (activated after 3 secs)
	60 ↔ 139	Pan/tilt black deactivated (activated after 3 secs)
	140 ↔ 149	No function
	150 ↔ 159	Auto1
	160 ↔ 169	Auto2
	170 ↔ 179	Fast
	180 ↔ 189	Custom
	190 ↔ 219	Sound 1 Sound 2 Reset No function
220 ↔ 255	No function	

5 APPENDIX
5.1 MAINTENANCE



No	ITEM
1	Head cover
2	Lenses
3	Motor
4	Head cover
5	Rotation gobo wheel
6	Color wheel
7	LED
8	Display PCB

No	ITEM
9	Fan
10	Back cover
11	Arm
12	Motor driver board
13	Motor
14	Fan
15	Tilt bell
16	Lens cover

No	ITEM
17	Power socket
18	Power input
19	XRL Plug(material)
20	Fan
21	Power switch
22	Pan bell
23	Master PCB

INDIGO BEAM

USER MANUAL

